


**UL-CLASSIFIED**  
**CEILING DAMPER**  
For 2-Hr. Designs

**MODEL L97**

**ROUND**  
**TWO-BLADE/INSULATED**

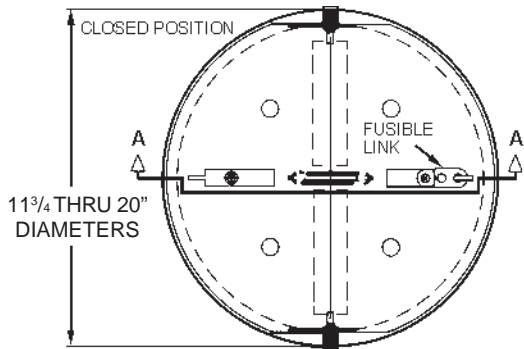
**MATERIALS AND CONSTRUCTION**

- FRAME:** One-Piece, roll-formed 22-Ga. galvanized steel. ( $2\frac{7}{8}$ " standard depth).
- BLADES:** 22-Ga. galvanized steel.
- INSULATION:**  $\frac{1}{2}$ " thick gypsum.
- FUSIBLE LINK:** 165°F Standard (212°F Optional).
- SPRING:** Extension type.
- FINISH:** Mill.
- OPTIONAL THERMAL BLANKET** for lay-in diffuser/grille installations:  $\frac{1}{4}$ " thick ceramic fiber, (8 lbs./cu. ft. density).



**UNDERWRITERS LABORATORIES INC.®**  
CLASSIFIED  
**CEILING DAMPERS**  
FIRE RESISTANCE CLASSIFICATION  
DESIGN NO'S. — SEE PRODUCT CATEGORY  
IN UL FIRE RESISTANCE DIRECTORY  
ISSUE NO.

**California State Fire Marshal Listing No.: 3225-1328:105**  
**1-hr. Combustible Ceiling Assemblies**  
**1-hr. & 2-hr. Non-Combustible Ceiling Assemblies**



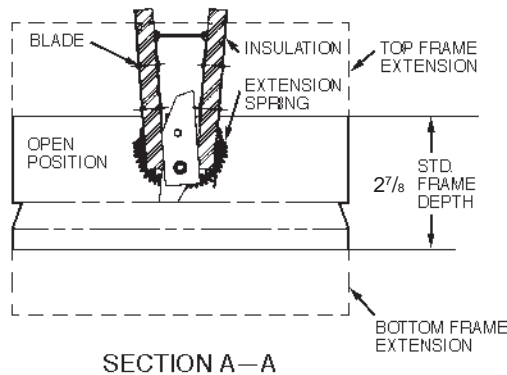
**DIMENSIONAL DATA**

- Maximum Size:** 314 Sq. in.  
**Minimum Diameter:**  $11\frac{3}{4}$ \"/>  
**Maximum Diameter:** 20\".

**OPTIONAL FRAME EXTENSIONS**

To facilitate various installations, a damper frame extension can be provided for the top of the frame, the bottom of the frame, or both the top and bottom of the frame, and will result in the following *total frame depths*:

|                           | Diameters:<br>$11\frac{3}{4}$ "-16" | Diameters:<br>$16\frac{3}{4}$ "-20" |
|---------------------------|-------------------------------------|-------------------------------------|
| Top Extension:            | $10\frac{1}{2}$ "                   | $12\frac{1}{2}$ "                   |
| Bottom Extension:         | $5\frac{1}{2}$ "                    | $5\frac{1}{8}$ "                    |
| Top and Bottom Extension: | $12\frac{7}{8}$ "                   | $14\frac{7}{8}$ "                   |



**PROJECT:**  
**LOCATION:**  
**ARCHITECT:**  
**ENGINEER:**

**CONTRACTOR:**  
**PO NUMBER:**  
**DATE:**

IN THE INTEREST OF PRODUCT DEVELOPMENT, WE RESERVE THE RIGHT TO MAKE CHANGES WITHOUT NOTICE.

**ID Louvers & Dampers**

A DIVISION OF MESTEK, INC.

P.O. BOX 606 • 7435 Industrial Rd • Florence, KY 41042 • Phone (859) 647-2299 • Fax (859) 647-7810