

Curtain Fire Damper

4 7/8" Deep • 1 1/2 Hour • Vertical or Horizontal Mount • Dynamic Fire Damper

STANDARD CONSTRUCTION



FRAME: 22-GA galvanized steel, one-piece rollformed

BLADE: 22-GA galvanized steel, curtain type

FUSIBLE LINK: UL-Listed 165°F; Replaceable

CLOSURE SPRINGS: Heat-treated Type 301 stainless steel constant force coiled negator type

FINISH: Mill

UNDERWRITERS LABORATORIES, INC.®
CLASSIFIED FIRE DAMPERS
FIRE RESISTANCE RATING 1 1/2 HR. CLASSIFIED
 FILE #R4708 
 A Microtek Company

OPTIONS

- 212°F Replaceable Fusible Link (Vertical Mount Only)
- Factory-Supplied Sleeves (20-GA through 10-GA)
- SPDT "Closed Damper" Position Indicator Switch
- B-Pan, Round, Oval, or Square Transitions
- Tab-Lock Retaining Angles
- Perimeter Flange
- Pull Ring

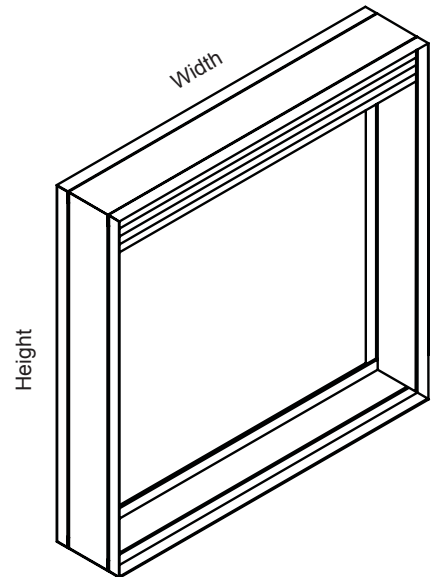
NOTES

1. "A" width and "B" height are opening dimensions. Dampers are provided 1/4" undercut.
2. Rated at 2000 fpm, 4 in.wg. Consult factory regarding 4000 fpm rating.

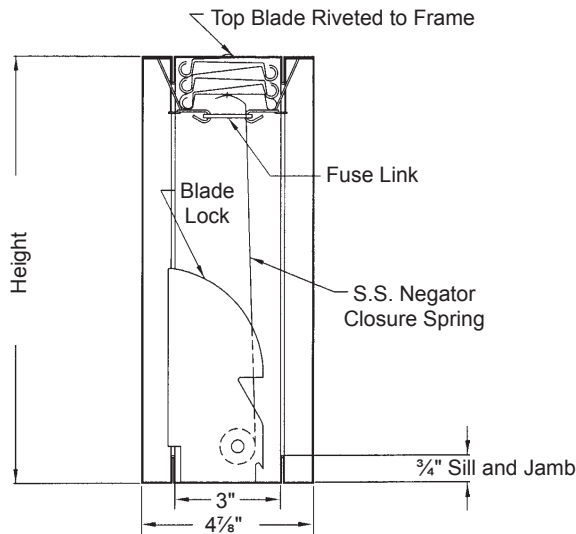
DAMPER SIZE

Orientation	Hor & Ver	Horizontal (floor)		Vertical (wall)	
	Min Panel	Max Single Panel	Max Single Panel*	Max Assembly	
17DA	4"W x 4"H	24"W x 24"H	36"W x 36"H	72"W x 36"H	
17DB	4"W x 3"H (duct) (4"W x 5"H frame)	24"W x 21"H (duct) (24"W x 24"H frame)	36"W x 32"H (duct) (36"W x 36"H frame)	72"W x 32"H (duct) (72"W x 36"H frame)	
17DC	4"W x 4"H (duct) (6"W x 7"H frame)	22"W x 20"H (duct) (24"W x 24"H frame)	34"W x 31"H (duct) (36"W x 36"H frame)	70"W x 31"H (duct) (72"W x 36"H frame)	

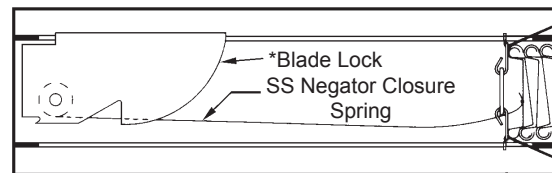
*Dampers greater than 36"W have a maximum single panel size of 18"W



Vertical Mount



Horizontal Mount

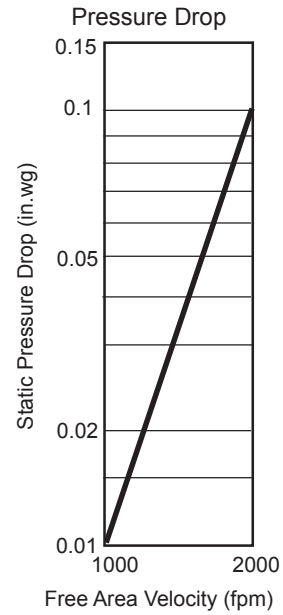


*Damper to be installed with blade lock points facing downward and with access from above

4 7/8" Deep • 1 1/2 Hour • Vertical or Horizontal Mount • Dynamic Fire Damper

		Free Area							
		Width							
Height		8	12	16	20	24	28	32	36
	8	.2	.4	.6	.7	.9	1.0	1.2	1.4
	12	.4	.7	.9	1.2	1.5	1.8	2.0	2.3
	16	.6	.9	1.3	1.7	2.0	2.4	2.8	3.1
	20	.7	1.2	1.7	2.1	2.6	3.1	3.5	4.0
	24	.9	1.4	2.0	2.6	3.2	3.7	4.3	4.9
	28	1.0	1.7	2.4	3.0	3.7	4.4	5.0	5.7
	32	1.2	2.0	2.7	3.5	4.3	5.1	5.8	6.6
36	1.3	2.2	3.1	4.0	4.8	5.7	6.6	7.4	

$$\text{Free Area Velocity (fpm)} = \frac{\text{Flow (cfm)}}{\text{Free Area (sq.ft.)}}$$



For Free Area and Pressure Drop information for the B-Pan Transition see SI-BPAN-09.07.
 For Free Area and Pressure Drop information for the Round, Oval or Square Transition see SI-TRFD-09.07.