


Curtain Fire Damper

4 7/8" Deep • 1 1/2 Hour • Vertical or Horizontal Mount • Static Fire Damper


STANDARD CONSTRUCTION

- FRAME:** 22-GA galvanized steel, one-piece rollformed
BLADE: 22-GA galvanized steel, curtain type
FUSIBLE LINK: UL-Listed 165°F; Replaceable
CLOSURE SPRINGS: Horizontal Models - Heat-treated Type 301 stainless steel constant force coiled negator type
FINISH: Mill

UNDERWRITERS LABORATORIES, INC.®
CLASSIFIED FIRE DAMPERS
FIRE RESISTANCE RATING 1 1/2 HR.



FILE #R4708



A McCook Company

OPTIONS

- 212°F Replaceable Fusible Link
- Factory-Supplied Sleeves (20-GA through 10-GA)
- Type 304 Stainless Steel Construction
- SPDT "Closed Damper" Position Indicator Switch
- B-Pan, Round, Oval, or Square Transitions
- Multiple Panel Unit Assembly
- Tab-Lock Retaining Angles
- Perimeter Flange
- Pull Ring

This fire damper meets the construction and performance requirements of:

- Underwriters Laboratories Inc. Standard 555
- National Fire Protection Association Standard 90A
- ICC's International Building Code
- California State Fire Marshal Listing #3225-1328:100

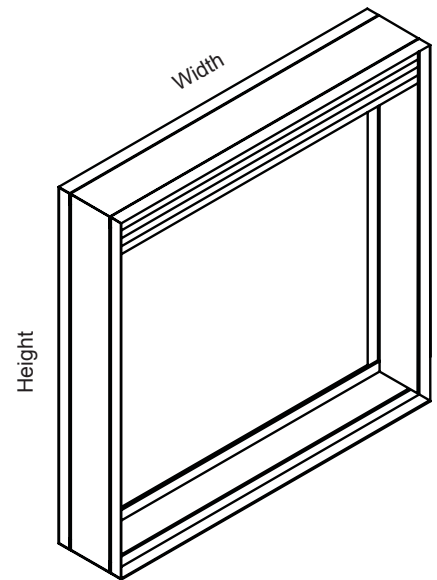
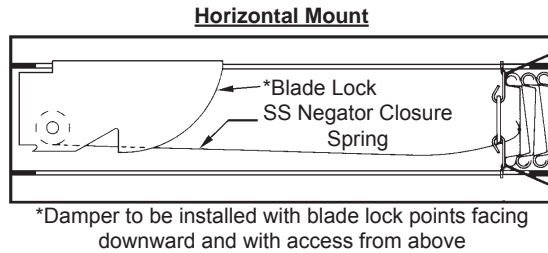
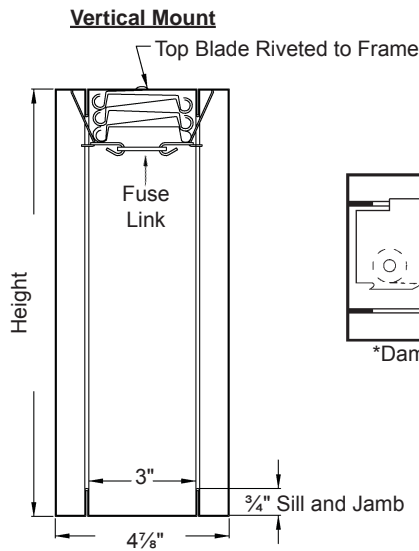
- Underwriters Laboratories Inc. Approved for dual direction airflow and static conditions.
- Underwriters Laboratories Inc. Classified for use in fire resistive ratings of less than 3 hours.

NOTES

1. "A" width and "B" height are opening dimensions. Dampers are provided 1/4" undercut.
2. Unassembled multiple units do not include mullions.
3. See SI-SSFD-09.05 for information regarding Stainless Steel Fire Dampers.

DAMPER SIZE

Orientation	Hor & Ver	Horizontal (floor)		Vertical (wall)	
		Max Single Panel	Max Assy Panel	Max Single Panel	Max Assy Panel
17SA	4"W x 4"H	48"W x 48"H	102"W x 48"W (36"W x 48"H each section)	60"W x 60"H	120"W x 120"W (40"W x 60"H each section)
17SB	4"W x 3"H (duct) 4"W x 5"H (frame)	48"W x 43"H (duct) (48"W x 48"H frame)	102"W x 43"H (duct) (102"W x 48"H frame) (36"W x 43"H each section duct)	60"W x 55"H (duct) (60"W x 60"H frame)	120"W x 115"H (duct) (120"W x 120"H frame) (40"W x 60"H each section duct)
17SC	4"W x 4"H (duct) (6"W x 7"H frame)	46"W x 42"H (duct) (48"W x 48"H frame)	100"W x 42"H (duct) (102"W x 48"H frame)	58"W x 54"H (duct) (60"W x 60"H frame)	118"W x 114"H (duct) (120"W x 120"H frame)

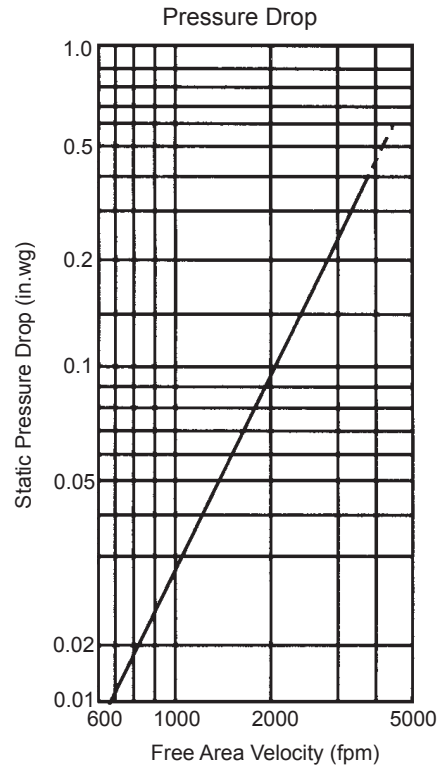


4⁷/₈" Deep • 1½ Hour • Vertical or Horizontal Mount • Static Fire Damper

Free Area

		Free Area														
		Width														
Height		4	8	12	16	20	24	28	32	36	40	44	48	52	56	60
	4	.03	.09	.16	.22	.28	.34	.40	.46	.52	.58	.64	.70	.76	.82	.89
	8	.09	.26	.42	.58	.75	.91	1.08	1.24	1.40	1.57	1.73	1.89	2.06	2.22	2.39
	12	.15	.41	.68	.94	1.21	1.47	1.74	2.00	2.27	2.53	2.79	3.06	3.32	3.59	3.85
	16	.21	.57	.94	1.30	1.67	2.03	2.40	2.76	3.13	3.49	3.86	4.22	4.59	4.95	5.32
	20	.27	.74	1.21	1.69	2.16	2.64	3.11	3.58	4.06	4.53	5.00	5.48	5.95	6.43	6.90
	24	.32	.90	1.47	2.05	2.62	3.20	3.77	4.35	4.92	5.49	6.07	6.64	7.22	7.79	8.37
	28	.38	1.06	1.74	2.41	3.09	3.77	4.44	5.12	5.80	6.47	7.15	7.83	8.51	9.18	9.86
	32	.44	1.21	1.99	2.77	3.55	4.32	5.10	5.88	6.66	7.43	8.21	8.99	9.77	10.54	11.32
	36	.50	1.39	2.27	3.16	4.04	4.93	5.82	6.70	7.59	8.48	9.36	10.25	11.14	12.02	12.91
	40	.56	1.55	2.54	3.52	4.51	5.50	6.49	7.48	8.47	9.46	10.45	11.44	12.43	13.42	14.41
	44	.62	1.72	2.81	3.91	5.01	6.11	7.21	8.30	9.40	10.50	11.60	12.70	13.79	14.89	15.99
	48	.68	1.88	3.08	4.28	5.48	6.68	7.88	9.08	10.29	11.49	12.69	13.89	15.09	16.29	17.49
	52	.73	2.03	3.33	4.63	5.92	7.22	8.52	9.82	11.12	12.42	13.72	15.02	16.32	17.61	18.91
56	.79	2.19	3.59	4.99	6.40	7.80	9.20	10.60	12.01	13.41	14.81	16.21	17.61	19.02	20.42	
60	.84	2.33	3.82	5.31	6.79	8.28	9.77	11.26	12.75	14.24	15.73	17.22	18.71	20.20	21.69	

$$\text{Free Area Velocity (fpm)} = \frac{\text{Flow (cfm)}}{\text{Free Area (sq.ft.)}}$$



For Free Area and Pressure Drop information for the B-Pan Transition, see SI-BPAN-09.07.
 For Free Area and Pressure Drop information for Round, Oval or Square Transition, see SI-TRFD-09.07.