


Curtain Fire Damper

4 7/8" Deep • 1 1/2 Hour • Vertical or Horizontal Mount • Static Rated • Fire Damper


STANDARD CONSTRUCTION

- FRAME:** 22-GA galvanized steel, one-piece rollformed
- BLADE:** 22-GA galvanized steel, curtain type
- FUSIBLE LINK:** UL-Listed 165°F; Replaceable
- CLOSURE SPRINGS:** Horizontal Models - Heat-treated Type 301 stainless steel constant force coiled negator type
- FINISH:** Mill

UNDERWRITERS LABORATORIES, INC.®
CLASSIFIED STATIC FIRE DAMPERS
FIRE RESISTANCE RATING 1 1/2 HR.



FILE #R16591



A McCook Company

OPTIONS

- 212°F Replaceable Fusible Link
- Factory-Supplied Sleeves (20-GA through 10-GA)
- Type 304 Stainless Steel Construction
- PK1202 Position Indicator Switch
- B-Pan, Round, Oval, or Square Transitions
- Multiple Panel Unit Assembly
- Tab-Lock Retaining Angles
- Perimeter Flange
- Pull Ring

This fire damper meets the construction and performance requirements of:

- Underwriters Laboratories Inc. Standard 555
- National Fire Protection Association Standard 80 and 90A
- ICC's International Building Code
- California State Fire Marshal Listing #3225-1328:100

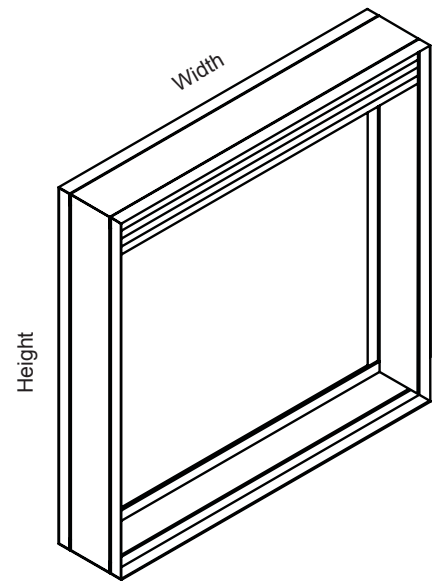
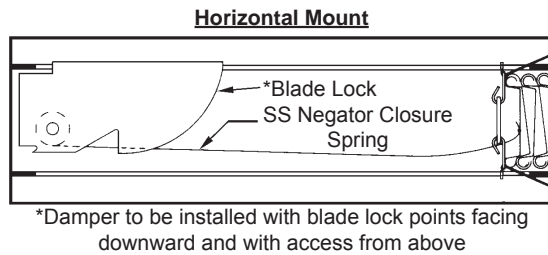
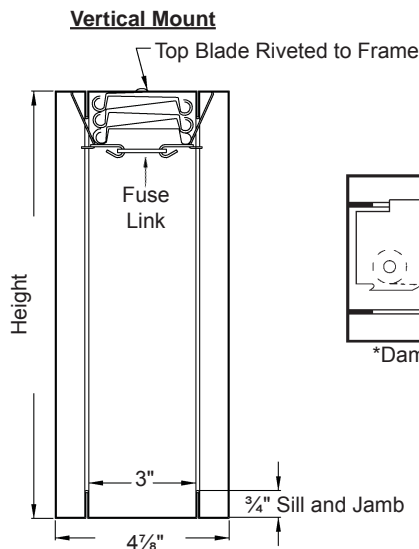
- Underwriters Laboratories Inc. Approved for dual direction airflow and static closure conditions.
- Underwriters Laboratories Inc. Classified for use in fire resistive ratings of less than 3 hours.

NOTES

1. "A" width and "B" height are opening dimensions. Dampers are provided 1/4" undercut.
2. Unassembled multiple units do not include mullions.
3. See SI-SSFD for information regarding Stainless Steel Fire Dampers.

DAMPER SIZE

| Orientation | Hor & Ver | Horizontal (floor) | | Vertical (wall) | |
|-------------|---------------------------------------|---|--|---|--|
| | | Max Single Panel | Max Assy Panel | Max Single Panel | Max Assy Panel |
| 17SA | 4"W x 4"H | 48"W x 48"H | 102"W x 48"W (36"W x 48"H each section) | 60"W x 60"H | 120"W x 120"W (40"W x 60"H each section) |
| 17SB | 4"W x 3"H (duct) 4"W x 5"H (frame) | 48"W x 43"H (duct) (48"W x 48"H frame) | 102"W x 43"H (duct) (102"W x 48"H frame) (36"W x 43"H each section duct) | 60"W x 55"H (duct) (60"W x 60"H frame) | 120"W x 115"H (duct) (120"W x 120"H frame) (40"W x 60"H each section duct) |
| 17SC | 4"W x 4"H (duct) (6"W x 7"H frame) | 46"W x 42"H (duct) (48"W x 48"H frame) | 100"W x 42"H (duct) (102"W x 48"H frame) | 58"W x 54"H (duct) (60"W x 60"H frame) | 118"W x 114"H (duct) (120"W x 120"H frame) |

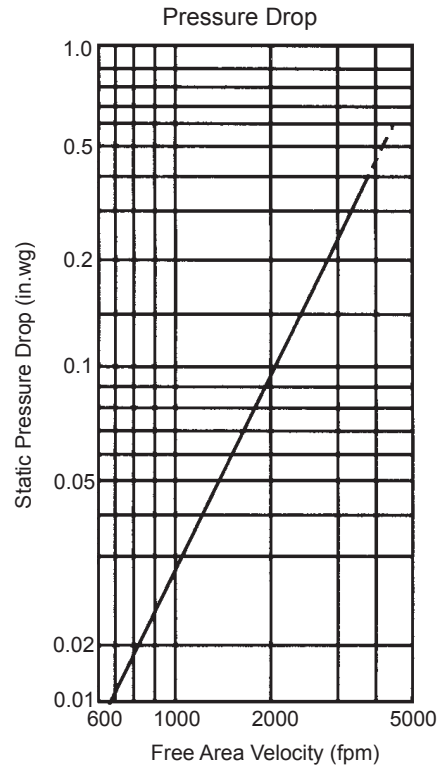


4 7/8" Deep • 1 1/2 Hour • Vertical or Horizontal Mount • Static Rated • Fire Damper

Free Area 17A

| | | Width | | | | | | | | | | | | | | |
|--------|-----|-------|------|------|------|------|------|-------|-------|-------|-------|-------|-------|-------|-------|-------|
| | | 4 | 8 | 12 | 16 | 20 | 24 | 28 | 32 | 36 | 40 | 44 | 48 | 52 | 56 | 60 |
| Height | 4 | .03 | .09 | .16 | .22 | .28 | .34 | .40 | .46 | .52 | .58 | .64 | .70 | .76 | .82 | .89 |
| | 8 | .09 | .26 | .42 | .58 | .75 | .91 | 1.08 | 1.24 | 1.40 | 1.57 | 1.73 | 1.89 | 2.06 | 2.22 | 2.39 |
| | 12 | .15 | .41 | .68 | .94 | 1.21 | 1.47 | 1.74 | 2.00 | 2.27 | 2.53 | 2.79 | 3.06 | 3.32 | 3.59 | 3.85 |
| | 16 | .21 | .57 | .94 | 1.30 | 1.67 | 2.03 | 2.40 | 2.76 | 3.13 | 3.49 | 3.86 | 4.22 | 4.59 | 4.95 | 5.32 |
| | 20 | .27 | .74 | 1.21 | 1.69 | 2.16 | 2.64 | 3.11 | 3.58 | 4.06 | 4.53 | 5.00 | 5.48 | 5.95 | 6.43 | 6.90 |
| | 24 | .32 | .90 | 1.47 | 2.05 | 2.62 | 3.20 | 3.77 | 4.35 | 4.92 | 5.49 | 6.07 | 6.64 | 7.22 | 7.79 | 8.37 |
| | 28 | .38 | 1.06 | 1.74 | 2.41 | 3.09 | 3.77 | 4.44 | 5.12 | 5.80 | 6.47 | 7.15 | 7.83 | 8.51 | 9.18 | 9.86 |
| | 32 | .44 | 1.21 | 1.99 | 2.77 | 3.55 | 4.32 | 5.10 | 5.88 | 6.66 | 7.43 | 8.21 | 8.99 | 9.77 | 10.54 | 11.32 |
| | 36 | .50 | 1.39 | 2.27 | 3.16 | 4.04 | 4.93 | 5.82 | 6.70 | 7.59 | 8.48 | 9.36 | 10.25 | 11.14 | 12.02 | 12.91 |
| | 40 | .56 | 1.55 | 2.54 | 3.52 | 4.51 | 5.50 | 6.49 | 7.48 | 8.47 | 9.46 | 10.45 | 11.44 | 12.43 | 13.42 | 14.41 |
| | 44 | .62 | 1.72 | 2.81 | 3.91 | 5.01 | 6.11 | 7.21 | 8.30 | 9.40 | 10.50 | 11.60 | 12.70 | 13.79 | 14.89 | 15.99 |
| | 48 | .68 | 1.88 | 3.08 | 4.28 | 5.48 | 6.68 | 7.88 | 9.08 | 10.29 | 11.49 | 12.69 | 13.89 | 15.09 | 16.29 | 17.49 |
| | 52 | .73 | 2.03 | 3.33 | 4.63 | 5.92 | 7.22 | 8.52 | 9.82 | 11.12 | 12.42 | 13.72 | 15.02 | 16.32 | 17.61 | 18.91 |
| | 56 | .79 | 2.19 | 3.59 | 4.99 | 6.40 | 7.80 | 9.20 | 10.60 | 12.01 | 13.41 | 14.81 | 16.21 | 17.61 | 19.02 | 20.42 |
| 60 | .84 | 2.33 | 3.82 | 5.31 | 6.79 | 8.28 | 9.77 | 11.26 | 12.75 | 14.24 | 15.73 | 17.22 | 18.71 | 20.20 | 21.69 | |

$$\text{Free Area Velocity (fpm)} = \frac{\text{Flow (cfm)}}{\text{Free Area (sq.ft.)}}$$



For Free Area and Pressure Drop information for the B-Pan Transition, see SI-BPAN.
 For Free Area and Pressure Drop information for Round, Oval or Square Transition, see SI-TRFD.