

# Curtain Fire Damper

4 7/8" Deep • 3 Hour • Vertical or Horizontal Mount • Dynamic Fire Damper

## STANDARD CONSTRUCTION

**FRAME:** 22-GA galvanized steel, one-piece rollformed

**BLADE:** 22-GA galvanized steel, curtain type

**FUSIBLE LINK:** UL-Listed 165°F; Replaceable

**CLOSURE SPRINGS:** Heat-treated Type 301 stainless steel constant force coiled negator type

**FINISH:** Mill

**UNDERWRITERS LABORATORIES, INC.®**

**CLASSIFIED FIRE DAMPERS  
FIRE RESISTANCE RATING 3 HR.**



FILE #R4708



## OPTIONS

- 212°F Replaceable Fusible Link (Vertical Mount Only)
- Factory-Supplied Sleeves (20-GA through 10-GA)
- SPDT "Closed Damper" Position Indicator Switch
- B-Pan, Round, Oval, or Square Transitions
- Tab-Lock Retaining Angles
- Perimeter Flange
- Pull Ring

This fire damper meets the construction and performance requirements of:

- Underwriters Laboratories Inc. Standard 555
- National Fire Protection Association Standard 90A
- ICC's International Building Code
- California State Fire Marshal Listing #3225-1328:101
- Underwriters Laboratories Inc. Approved for dual direction airflow and dynamic conditions.
- Underwriters Laboratories Inc. Classified for use in fire resistive ratings of 3 hours or more.

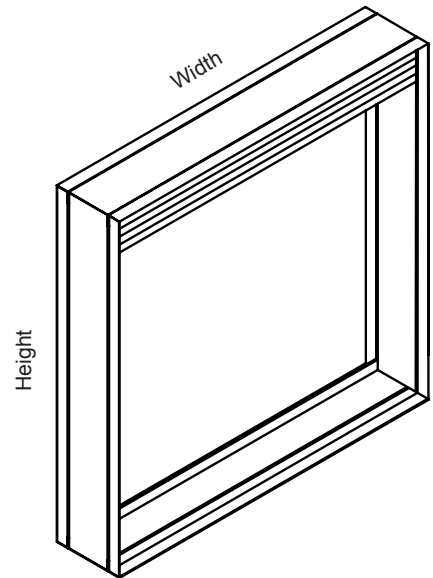
## NOTES

1. "A" width and "B" height are opening dimensions. Dampers are provided 1/4" undercut.
2. Rated at 2000 fpm, 4 in.wg. Consult factory regarding 4000 fpm rating.

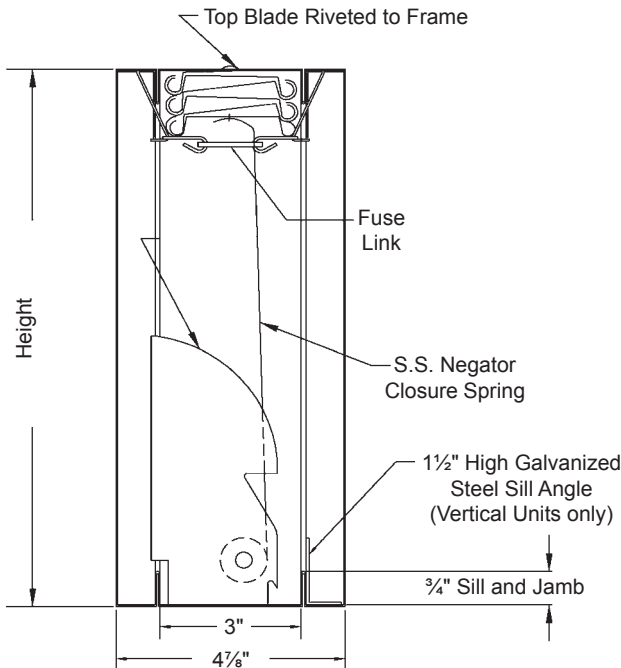
## DAMPER SIZE

Orientation	Hor & Ver	Vertical (wall)		
		Horizontal (floor)	Max Single Panel*	Max Assembly
38DA	4"W x 4"H	24"W x 24"H	36"W x 36"H	72"W x 36"H
38DB	4"W x 3"H (duct) (4"W x 5"H frame)	24"W x 21"H (duct)	36"W x 32"H (duct)	72"W x 32"H (duct)
		(24"W x 24"H frame)	(36"W x 36"H frame)	(72"W x 36"H frame)
38DC	4"W x 4"H (duct) (6"W x 7"H frame)	22"W x 20"H (duct)	34"W x 31"H (duct)	70"W x 31"H (duct)
		(24"W x 24"H frame)	(36"W x 36"H frame)	(72"W x 36"H frame)

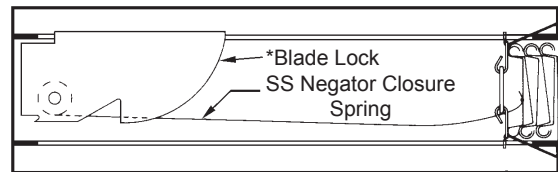
\*Dampers greater than 36"W have a maximum single panel size of 18"W.



### Vertical Mount



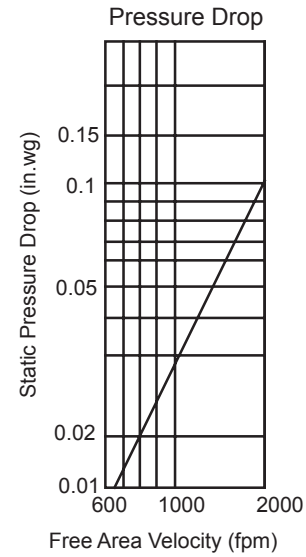
### Horizontal Mount



4<sup>7</sup>/<sub>8</sub>" Deep • 3 Hour • Vertical or Horizontal Mount • Dynamic Fire Damper

		Free Area							
		Width							
Height		8	12	16	20	24	28	32	36
	8	.2	.3	.5	.6	.7	.8	1.0	1.2
	12	.4	.6	.8	1.0	1.2	1.5	1.7	2.0
	16	.5	.8	1.0	1.4	1.7	2.0	2.3	2.7
	20	.7	1.0	1.4	1.9	2.1	2.6	3.0	3.5
	24	.8	1.1	1.7	2.2	2.8	3.1	3.6	4.2
	28	1.0	1.4	2.0	2.6	3.2	4.0	4.4	5.0
	32	1.1	1.7	2.2	3.0	4.0	4.7	5.1	5.7
	36	1.2	2.0	2.6	3.5	4.5	5.2	6.0	7.1

$$\text{Free Area Velocity (fpm)} = \frac{\text{Flow (cfm)}}{\text{Free Area (sq.ft.)}}$$



For Free Area and Pressure Drop information for the 30D with B-Pan Transition, see SI-BPAN-09.07.  
 For Free Area and Pressure Drop information for the 30D with Round, Oval, or Square Transition, see SI-TRFD-09.07.