

Curtain Fire Damper

4 $\frac{7}{8}$ " Deep • 3 Hour • Vertical or Horizontal Mount • Dynamic Fire Damper

STANDARD CONSTRUCTION

FRAME: 22-GA galvanized steel, one-piece rollformed

BLADE: 22-GA galvanized steel, curtain type

FUSIBLE LINK: UL-Listed 165°F; Replaceable

CLOSURE SPRINGS: Heat-treated Type 301 stainless steel constant force coiled negator type

FINISH: Mill

UNDERWRITERS LABORATORIES, INC.®
CLASSIFIED DYNAMIC FIRE DAMPERS
FIRE RESISTANCE RATING 3 HR.



FILE #R16591



OPTIONS

212°F Replaceable Fusible Link (Vertical Mount Only)

Factory-Supplied Sleeves (20-GA through 10-GA)

PK1202 Position Indicator Switch

B-Pan, Round, Oval, or Square Transitions

Tab-Lock Retaining Angles

Perimeter Flange

Pull Ring

This fire damper meets the construction and performance requirements of:

- Underwriters Laboratories Inc. Standard 555
- National Fire Protection Association Standard 80 and 90A
- ICC's International Building Code
- California State Fire Marshal Listing #3225-1328:101
- Underwriters Laboratories Inc. Approved for dual direction airflow and dynamic conditions.
- Underwriters Laboratories Inc. Classified for use in fire resistive ratings of 3 hours or more.

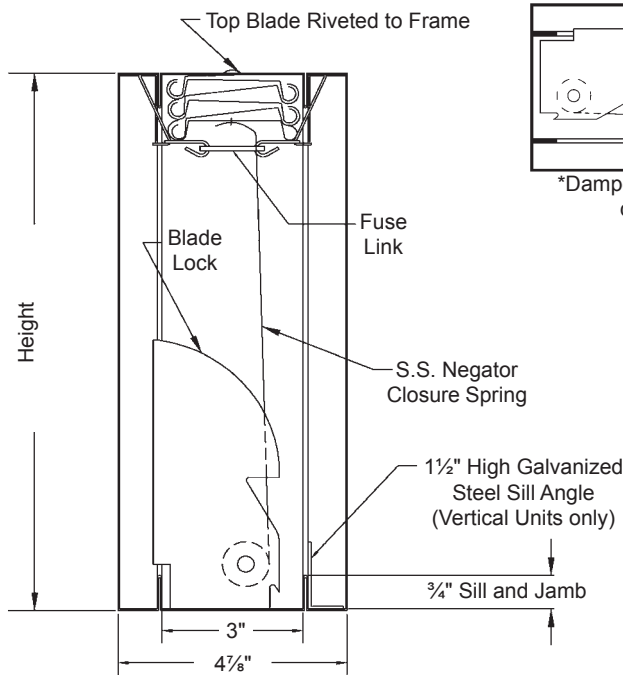
NOTES

1. "A" width and "B" height are opening dimensions. Dampers are provided $\frac{1}{4}$ " undercut.

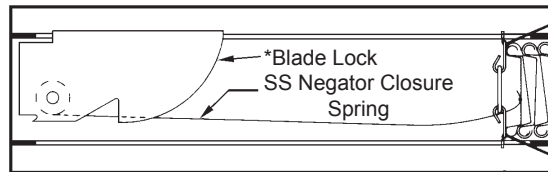
DAMPER SIZE

Orientation	Hor & Ver	2000 fpm, 4 in.wg			4000 fpm, 4 in.wg
		Horizontal (floor)	Vertical (wall)		Vertical (wall)
Panels	Min Panel	Max Single Panel	Max Single Panel*	Max Assembly	Max Single Panel
38DA	4"W x 4"H	24"W x 24"H	36"W x 36"H	72"W x 36"H	18"W x 36"H
38DB	4"W x 3"H (duct) (4"W x 5"H frame)	24"W x 21"H (duct) (24"W x 24"H frame)	36"W x 32"H (duct) (36"W x 36"H frame)	72"W x 32"H (duct) (72"W x 36"H frame)	18"W x 32"H (duct) (18"W x 36"H frame)
38DC	4"W x 4"H (duct) (6"W x 7"H frame)	22"W x 20"H (duct) (24"W x 24"H frame)	34"W x 31"H (duct) (36"W x 36"H frame)	70"W x 31"H (duct) (72"W x 36"H frame)	16"W x 31"H (duct) (18"W x 36"H frame)

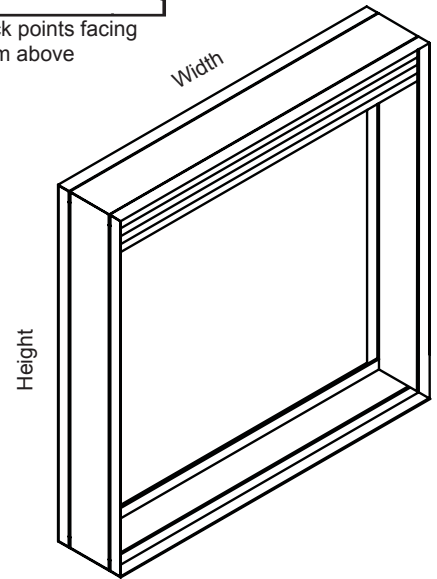
Vertical Mount



Horizontal Mount



*Damper to be installed with blade lock points facing downward and with access from above



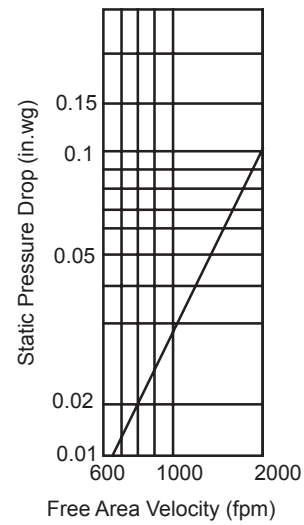
4 7/8" Deep • 3 Hour • Vertical or Horizontal Mount • Dynamic Fire Damper

Free Area 38DA

		Width							
		8	12	16	20	24	28	32	36
Height	8	.2	.3	.5	.6	.7	.8	1.0	1.2
	12	.4	.6	.8	1.0	1.2	1.5	1.7	2.0
	16	.5	.8	1.0	1.4	1.7	2.0	2.3	2.7
	20	.7	1.0	1.4	1.9	2.1	2.6	3.0	3.5
	24	.8	1.1	1.7	2.2	2.8	3.1	3.6	4.2
	28	1.0	1.4	2.0	2.6	3.2	4.0	4.4	5.0
	32	1.1	1.7	2.2	3.0	4.0	4.7	5.1	5.7
	36	1.2	2.0	2.6	3.5	4.5	5.2	6.0	7.1

$$\text{Free Area Velocity (fpm)} = \frac{\text{Flow (cfm)}}{\text{Free Area (sq.ft.)}}$$

Pressure Drop



For Free Area and Pressure Drop information for the B-Pan Transition, see SI-BPAN.
 For Free Area and Pressure Drop information for the Round, Oval, or Square Transition, see SI-TRFD.