

Multi-Blade Fire Damper

38MD

5½" Deep • 3 Hour • Vertical or Horizontal Mount • Dynamic Fire Damper

STANDARD CONSTRUCTION

- FRAME:** 5½" x 7/8" x 16-GA galvanized steel hat channel
- BLADES:** 16-GA galvanized steel, 6" nominal width, parallel action
- AXLES:** Square, plated solid steel stub
- BEARINGS:** Oil impregnated bronze
- LINKAGE:** Plated steel angle and crank plates with stainless steel pivots in-jamb type
- STOPS:** 18-GA galvanized steel at head and sill
- JAMB SEALS:** Stainless Steel
- FINISH:** Mill
- ACTUATOR:** Non-motorized spring closure mechanism with 165°F fusible link

OPTIONS

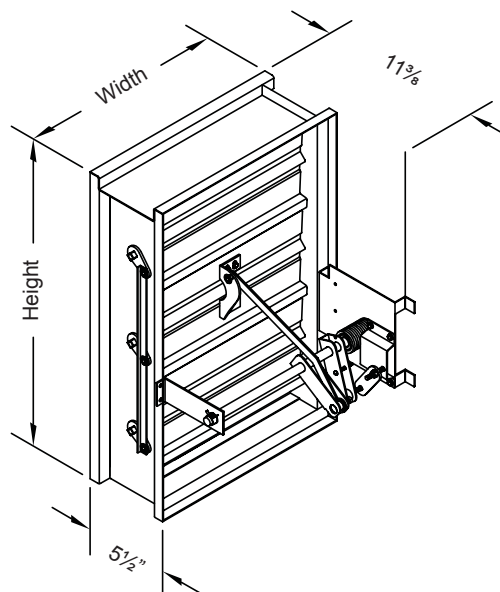
- Sleeve of various depths (16" minimum) and gauges
- Round or oval transitions
- 212°F fusible link
- Dual position indication package (see note #2.)

NOTES

1. "A" width and "B" height are opening dimensions. Dampers are provided ¼" undercut.
2. Optional auxiliary blade position indication switches are rated at 11A, 1/3HP, 125VAC. These snap action switches are intended to make or break a circuit and will not provide variable or proportional resistance.
3. Single panel dampers have a Maximum Velocity of 4000 fpm and a Maximum Pressure of 4 in.wg. Multiple panel dampers have a Maximum Velocity of 2000 fpm and a Maximum Pressure of 4 in.wg.



DAMPER SIZE

Orientation	Hor & Vert	Horizontal (floor)		Vertical (wall)	
	Min Panel	Max Single Panel	Max Assy Panel	Max Single Panel	Max Assy Panel
Rectangular	4"W x 4"H (8"W x 8"H frame)	30"W x 48"H 36"W x 30"H	60"W x 48"H	36"W x 48"H	126"W x 48"H
Round	6" dia. (8"W x 8"H frame)	28" dia.	46" dia.	34" dia.	46" dia.
Oval	6"W x 6"H (8"W x 8"H frame)	28"W x 46"H 34"W x 28"H	58"W x 46"H	34"W x 46"H	124"W x 46"H



UNDERWRITERS LABORATORIES INC.®
CLASSIFIED FIRE DAMPER
 FIRE RESISTANCE RATING 3 HR
 IN ACCORDANCE WITH UL-555
 SEE U.L. FIRE RESISTANCE DIRECTORY

FILE #R4708

This fire damper meets the construction and performance requirements of:

- Underwriters Laboratories Inc. Standards 555
- National Fire Protection Association Standards 90A, 92A, and 92B
- ICC's International Building Code
- Underwriters Laboratories Inc. Approved for dual direction airflow and dynamic conditions.
- Underwriters Laboratories Inc. Classified for use in fire resistive ratings of 3 hours or more.

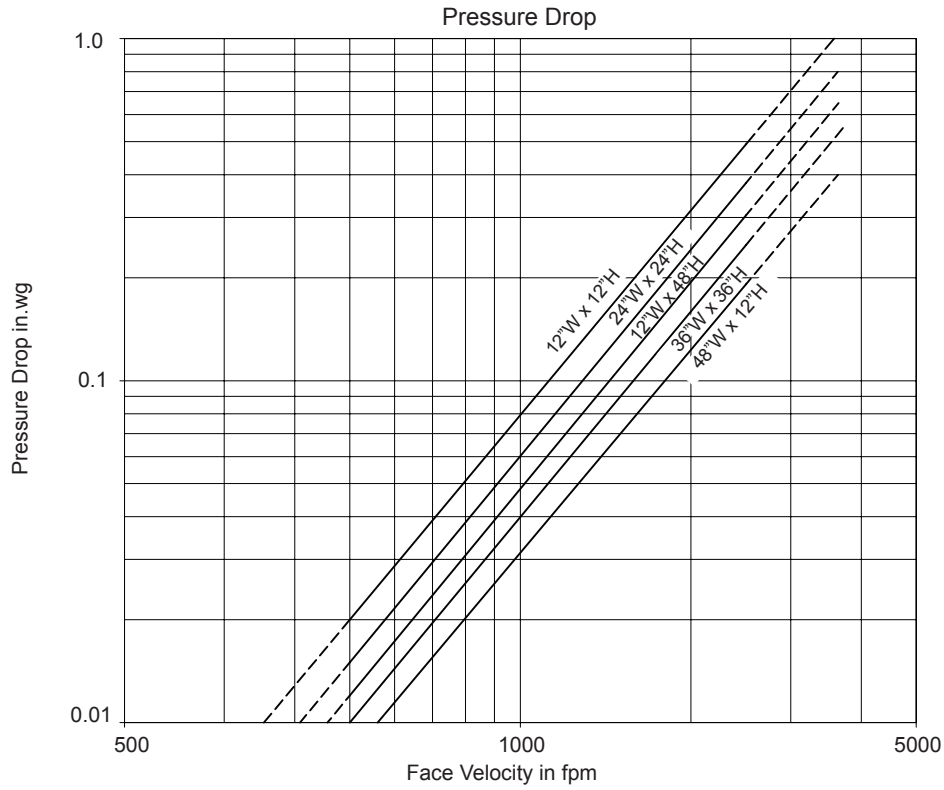
Louvers & Dampers
A Microtek Company

SD-38MD-09.07

P.O. Box 606 • 7435 Industrial Rd • Florence, KY 41042 • Phone (859) 647-2299 • Fax (859) 647-7810

July 2009

5½" Deep • 3 Hour • Vertical or Horizontal Mount • Dynamic Fire Damper



Typical Performance Curve
 Tested per AMCA Standard 500-D; Figure 5.3 (In-Duct Mount)
 (Smaller sizes will have higher pressure drops.)