

Out of Wall Curtain Fire Dampers

Fire Damper Models: 119A, 15SA, 17SA, 117SA, D19A, 15DA, 17DA, D17A

APPLICATION

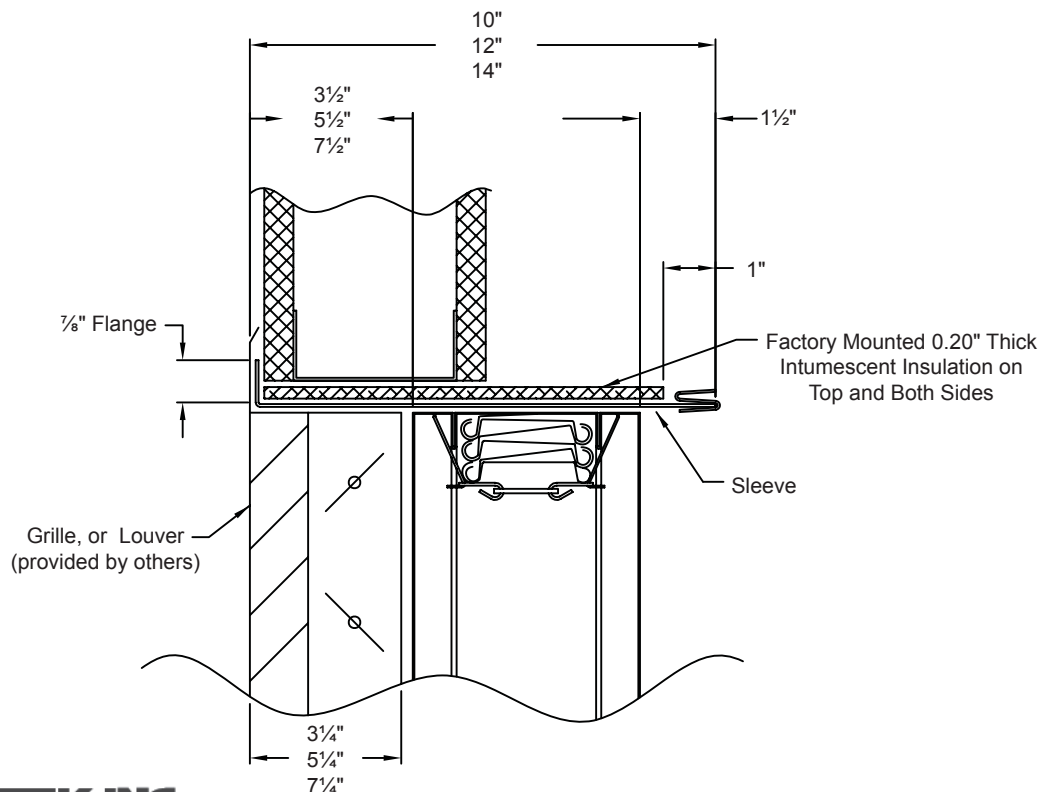
This fire damper is intended to restrict the passage of flame. This installation allows the damper to be positioned so that the closed plane of the blades extend beyond the fire rated masonry/concrete or metal or wood frame gypsum wallboard barrier. The instructions are supplemental to instructions II-FD-1.5.

PANEL SIZE

Model	Maximum Panel
Static Curtain Vertical	36"W x 42"H
Dynamic Curtain Vertical	36"W x 36"H

Notes:

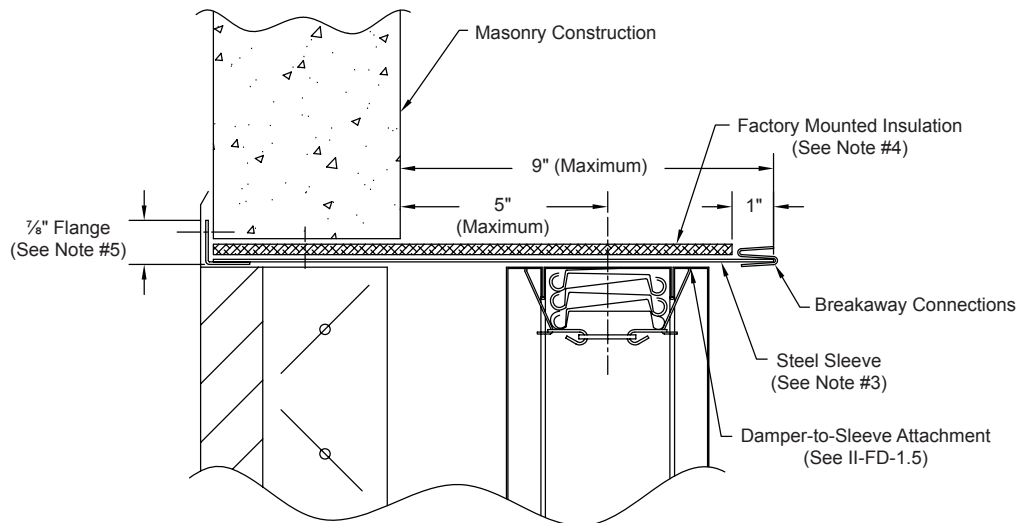
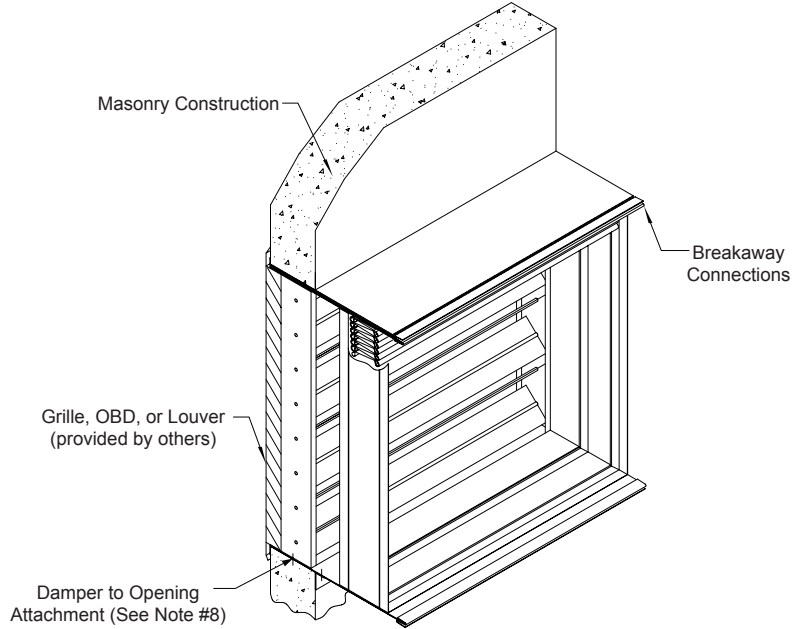
1. This installation is limited to the following:
 - A. Two hour or less rated wall or partition.
 - B. Vertically mounted curtain damper.
2. **Opening Framing Details:** See II-FD-1.5.
3. **Sleeve:** Damper is to be factory mounted into the insulated flange sleeve. Steel Sleeve is 20-GA minimum, 14-GA maximum.
4. **Insulation:** Insulation is factory mounted 0.20" thick intumescent insulation on top and both sides. It is attached to the damper sleeve with either a double row of flat head screws on 24" maximum c/c or a double row of self-piercing rivets on 8" maximum c/c.
5. **Flange:** 7/8" x 16-GA steel spot welded to the sleeve.
6. **Grille:** A minimum 26-GA steel frame is required, core of grille can be aluminum or nonmetallic. If a thinner or non-steel grille frame is used, then open corners of flanged sleeve must be closed off with 20-GA (minimum) steel corner tabs (by others) riveted to flanges.
7. **Opening Size:** No expansion clearance is required, but sufficient clearance between the damper and the opening is required for the insulation and for mounting. The minimum opening width shall be 3/8" larger than the nominal width. The minimum height shall be 1/4" larger than the nominal height. The maximum opening size shall be no more than 1/4" greater than the minimum opening size. **Example:** An 18"W x 24"H nominal size damper will require a minimum opening width of 18 3/8" and a minimum opening height of 24 1/4". **Note:** The preceding example is based on the standard 20-GA sleeve.
8. **Mounting Damper to Opening:** Unlike traditional fire damper installations, this damper requires no perimeter retaining angles (except when mounted in wood framing). To mount the damper, insert the damper into the opening until the flange contacts the wall face, see note #7 for proper opening size. Through the grille clearance area of the sleeve, secure the damper to the wall framing using #10 steel screws 12" O.C. (maximum), 6" (maximum) from each corner, minimum of one fastener per each side, bottom and top. For masonry construction, use #10 (minimum) steel concrete screws or anchors 12" O.C. (maximum), 6" (maximum) from each corner, minimum of one fastener per each side, bottom and top.



Out of Wall Curtain Fire Dampers

Fire Damper Models: 119A, 15SA, 17SA, 117SA, D19A, 15DA, 17DA, D17A

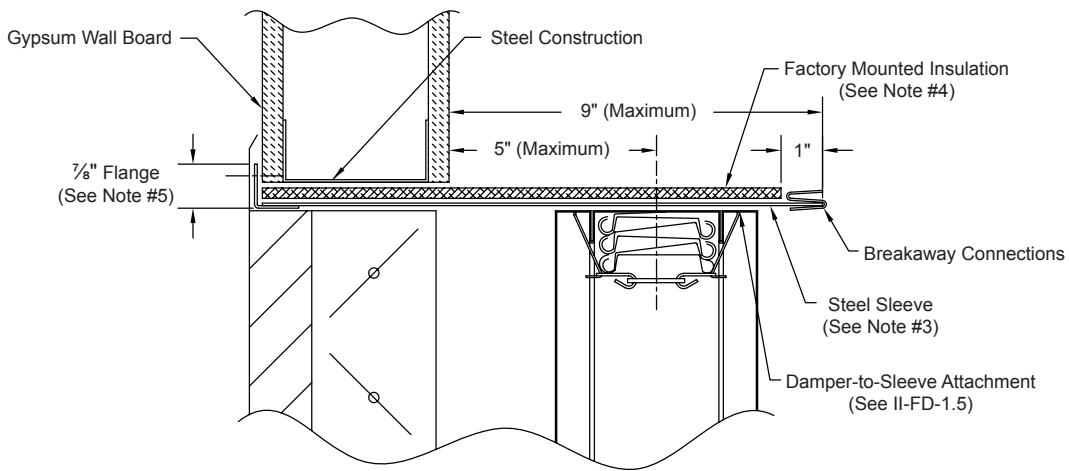
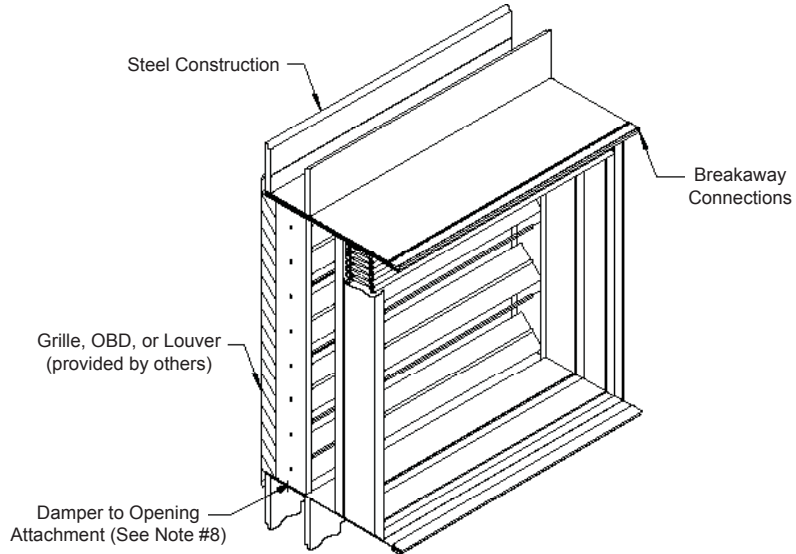
OUT OF WALL for MASONRY OPENING



Out of Wall Curtain Fire Dampers

Fire Damper Models: 119A, 15SA, 17SA, 117SA, D19A, 15DA, 17DA, D17A

OUT OF WALL for STEEL FRAMED OPENING



Out of Wall Curtain Fire Dampers

Fire Damper Models: 119A, 15SA, 17SA, 117SA, D19A, 15DA, 17DA, D17A

OUT OF WALL for WOOD FRAMED OPENING

