

Tab-Lock Retaining Angles

Fire Damper • Models: 17S, 17D, 17MD, 17MA, 38S, 38D, 38MD, 38MA

Fire/Smoke Damper • Models: MS, MT, MA, LA

APPLICATION

Tab-Lock Retaining Angles may be used to mount fire dampers or fire/smoke dampers both vertically and horizontally. UL approved for dampers with 1½ and 3 hour fire rating, they offer the flexibility of attachment to the sleeve into the rated barrier. The corner tabs can be bent 90° in either direction before or after attachment to the sleeve, depending on job site preference.

Tab-Lock Retaining Angles are pre-punched for easy attachment to the sleeve. Refer to the appropriate Installation Instruction for details.

NOTES

Material: 16-GA Galvanized Steel

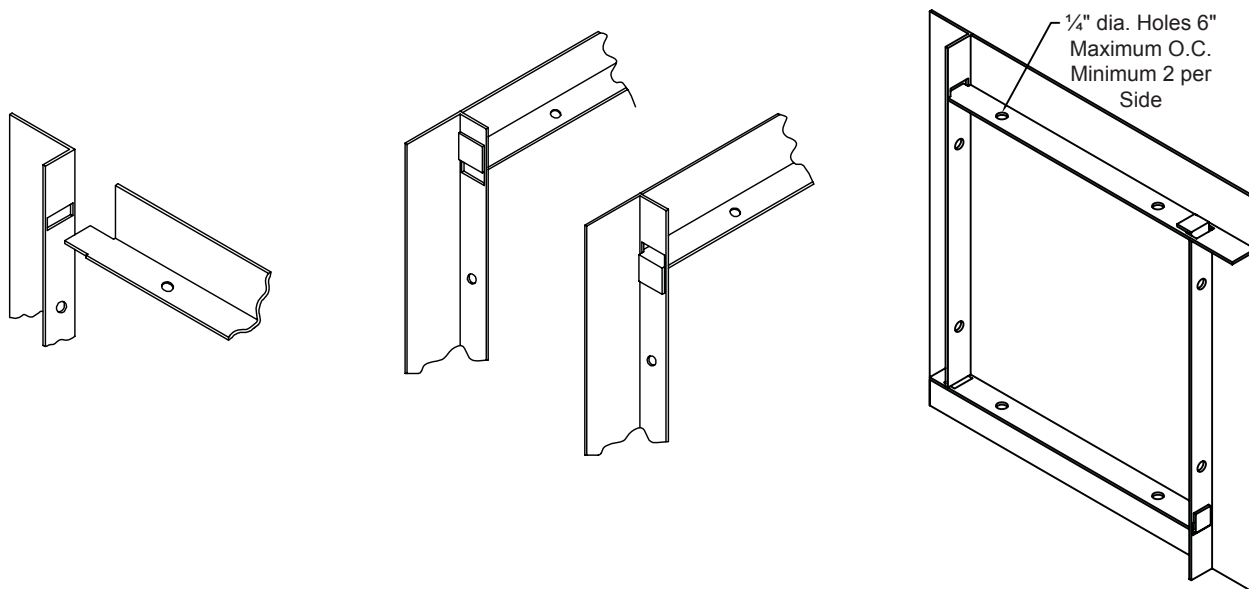
Dimensions: 1½" x 7⁄8"

Orientation: Vertical or Horizontal

Angles are pre-punched and shipped loose for field attachment to the sleeve. Refer to the appropriate Installation Instructions for details.

This combination fire/smoke and fire damper meets the construction and performance requirements of:

- Underwriters Laboratories Inc.
- ICC's International Building Code
- SMACNA
- National Fire Protection Association Standard 90A



Louvers  Dampers
A Microtek Company

P.O. Box 606 • 7435 Industrial Rd • Florence, KY 41042 • Phone (859) 647-2299 • Fax (859) 647-7810

Tab-Lock Retaining Angles

Fire Damper • Models: 17S, 17D, 17MD, 17MA, 38S, 38D, 38MD, 38MA

Fire/Smoke Damper • Models: MS, MT, MA, LA

This page intentionally left blank.