

# Transition - Round, Oval, or Square

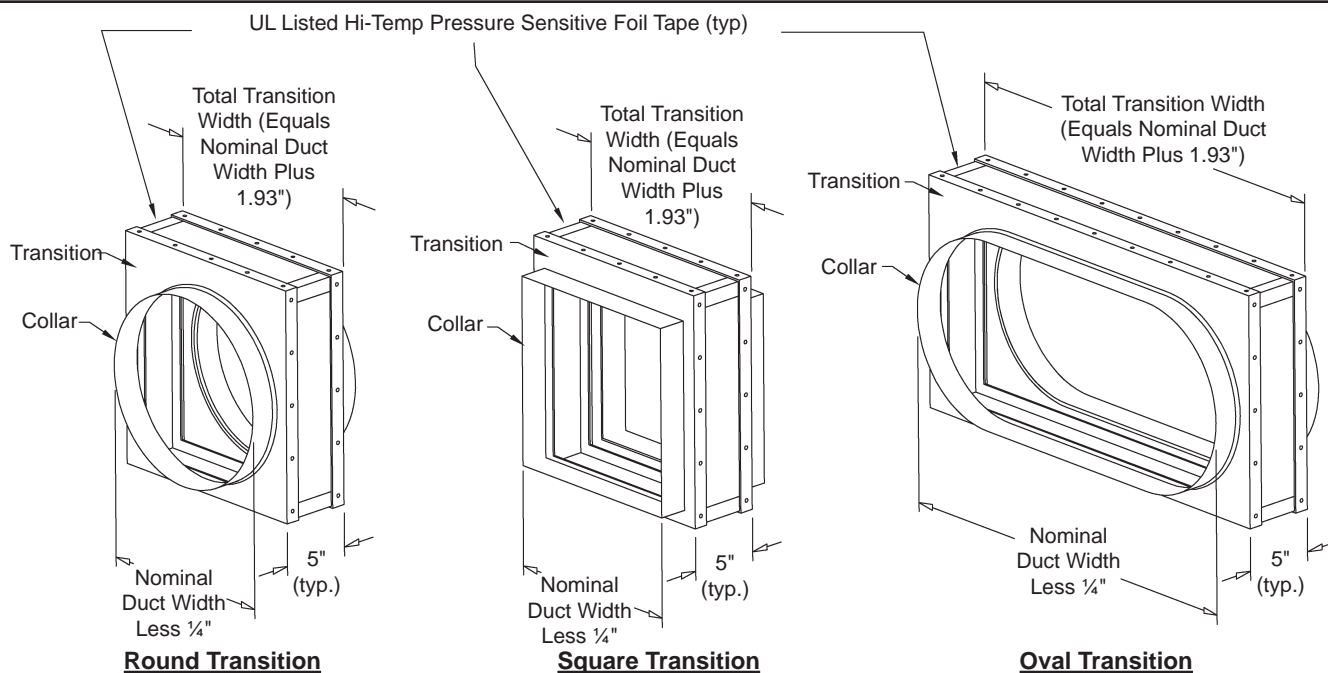
Fire Damper • Models: 17S, 17D, 38S, 38D

## APPLICATION

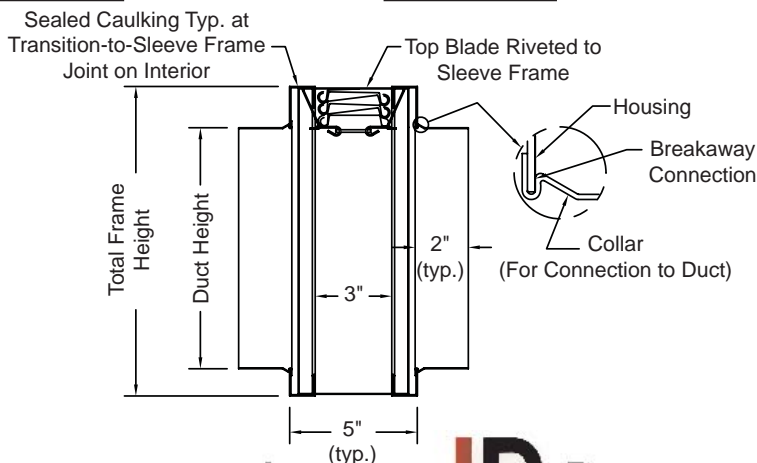
By having a transition on the fire damper, it allows 100% free area. The transition can also allow for smaller duct work than the frame size. The transition can be used to mount into round or oval duct work.

## PANEL SIZE LIMITATIONS

| Orientation | Hor & Ver | Horizontal                            |   | Vertical                                    |   |   |
|-------------|-----------|---------------------------------------|---|---|---|---|
|             |           | Panel                                 | Minimum Panel                             | Maximum Single Section                      | Maximum Assembly                          | Maximum Single Section                        |
| Model       | 17SC      | 4"W x 4"H (duct)<br>(6"W x 7"H frame) | 46"W x 42"H (duct)<br>(48"W x 48"H frame) | 100"W x 42"H (duct)<br>(102"W x 48"H frame) | 58"W x 54"H (duct)<br>(60"W x 60"H frame) | 118"W x 114"H (duct)<br>(120"W x 120"H frame) |
|             | 38SC      | 4"W x 4"H (duct)<br>(6"W x 7"H frame) | 46"W x 42"H (duct)<br>(48"W x 48"H frame) | 70"W x 31"H (duct)<br>(72"W x 36"H frame)   | 34"W x 31"H (duct)<br>(36"W x 36"H frame) | 70"W x 67"H (duct)<br>(72"W x 72"H frame)     |
|             | 17DC      | 4"W x 4"H (duct)<br>(6"W x 7"H frame) | 22"W x 20"H (duct)<br>(24"W x 24"H frame) | not available                               | 34"W x 31"H (duct)<br>(36"W x 36"H frame) | 70"W x 31"H (duct)<br>(72"W x 36"H frame)     |
|             | 38DC      | 4"W x 4"H (duct)<br>(6"W x 7"H frame) | 22"W x 20"H (duct)<br>(24"W x 24"H frame) | not available                               | 34"W x 31"H (duct)<br>(36"W x 36"H frame) | 70"W x 31"H (duct)<br>(72"W x 36"H frame)     |

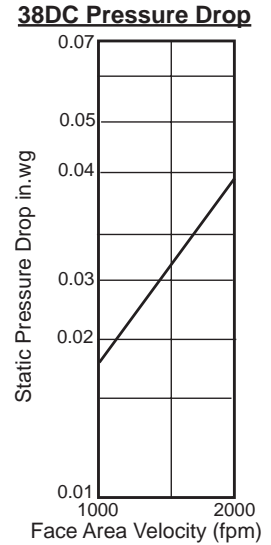
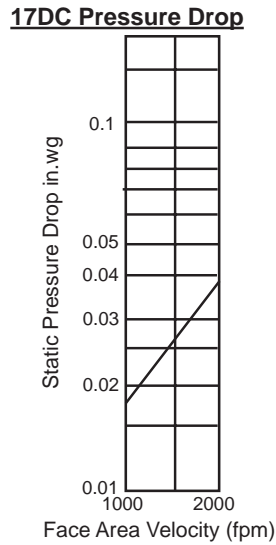
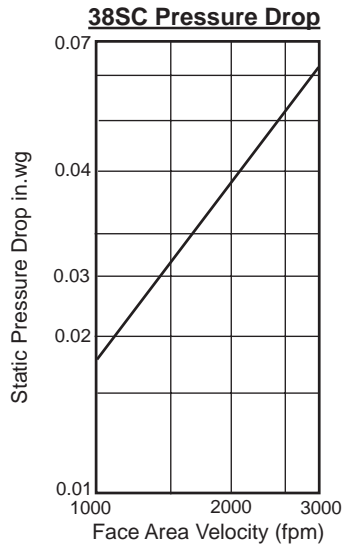
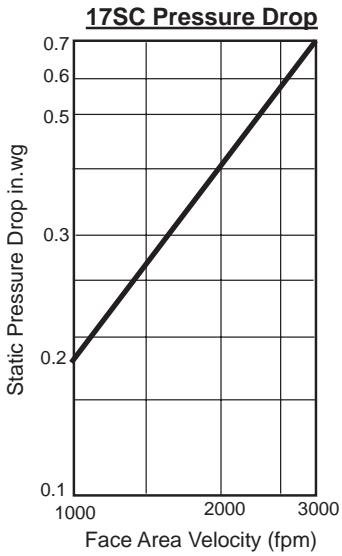


| Sizing Chart                                 |                      |                               |                      |
|--|----------------------|-------------------------------|----------------------|
| Width Size<br>(17S, 38S, 17D, 38D)           |                      | Duct Width                    | Add for Frame Width  |
|  |                      | 4" - 120"                     | 2"                   |
| Height Sizing Chart<br>(17S, 38SH, 17D, 38D) |                      | Height Sizing Chart<br>(38SV) |                      |
| Duct Height                                  | Add for Frame Height | Duct Height                   | Add for Frame Height |
| 4" - 18"                                     | 3"                   | 4" - 18"                      | 3"                   |
| 19" - 28"                                    | 4"                   | 19" - 28"                     | 4"                   |
| 29" - 40"                                    | 5"                   | 29" - 31"                     | 5"                   |
| 41" - 54"                                    | 6"                   | 32" - 36"                     | 3"                   |
| 55" - 57"                                    | 4"                   | 37" - 60"                     | 4"                   |
| 58" - 84"                                    | 5"                   | 61" - 67"                     | 5"                   |
| 85" - 114"                                   | 6"                   |                               |                      |



# Transition - Round, Oval, or Square

Fire Damper • Models: 17S, 17D, 38S, 38D



With 100% Free Area, Pressure Drop is determined by FACE Area Velocity (in lieu of Free Area Velocity).

$$\text{Face Area Velocity (fpm)} = \frac{\text{Flow (cfm)}}{\text{Face Area (sq.ft.)}}$$