

# Installation of Flanged Duct Connection for UL Dampers

Fire Damper • Models: 17S, 17D, 17MD, 17MA, 38S, 38D, 38MD, 38MA

Fire/Smoke Damper • Models: MR, MS, MT, MA, LA

## APPLICATION

Breakaway connections are required in order to allow the duct work connecting a fire rated damper sleeve to "breakaway" from the damper sleeve so that the damper remains within the fire rated opening, thus maintaining the integrity of the wall or floor. The flanged connections included here within are UL approved for use as breakaway connections if installed per these installation instructions.

These tables detail successful SMACNA sponsored testing at Underwrites Laboratories conducted in 1997 under Assignment No. 91NK15526. Contact specific flanged duct connection manufactures regarding larger sizes or different number of cleats.

## PANEL SIZE LIMITATIONS

Curtain Damper Size/Cleat Requirement  
(Models: 17S, 17D, 38S, 38D)

		Number of Cleats per Side				
		1	2	3	4	5
Connection	TDC	n/a	24"W x 24"H	n/a	60"W x 60"H	n/a
	TDF	18"W x 18"H	24"W x 24"H	48"W x 48"H	60"W x 60"H	n/a
	Ductmate	n/a	18"W x 18"H	n/a	n/a	60"W x 60"H
	Ward	12"W x 12"H	n/a	n/a	48"W x 48"H	n/a
	Nexus	n/a	n/a	24"W x 24"H	n/a	n/a

Multi-Blade and Fire/Smoke Damper Size/Cleat Requirement  
(Models: 17MD, 17MA, 38MD, 38MA, MR, MS, MT, MA, LA)

		Number of Cleats per Side			
		1	2	3	4
Connection	TDC	n/a	24"W x 24"H	36"W x 48"H	n/a
	TDF	18"W x 18"H	n/a	36"W x 48"H	n/a
	Ductmate	12"W x 12"H	n/a	n/a	36"W x 48"H
	Ward	n/a	24"W x 24"H	n/a	36"W x 48"H
	Nexus	n/a	n/a	n/a	36"W x 48"H

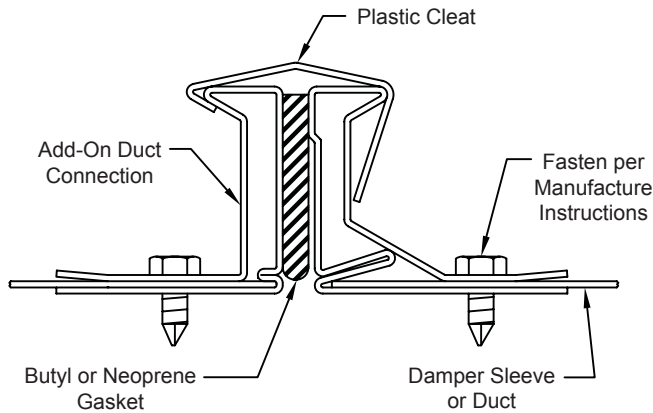
## REQUIREMENTS

1. Per flanged system manufacture's instructions, install the flange system onto the damper sleeve or duct.
2. Seal the two flange systems together with neoprene or butyl gasket.
3. Align the flanges together. An optional  $\frac{3}{8}$ " bolt may be used to help alignment.
4. Install the cleats equally spaced in quantities per the chart provided above.
5. Flange connector to damper sleeve and/or flange connector to flange connector can be caulked using Design Polymeric's DP1010 or Precision's PA2084T.

# Installation of Flanged Duct Connection for UL Dampers

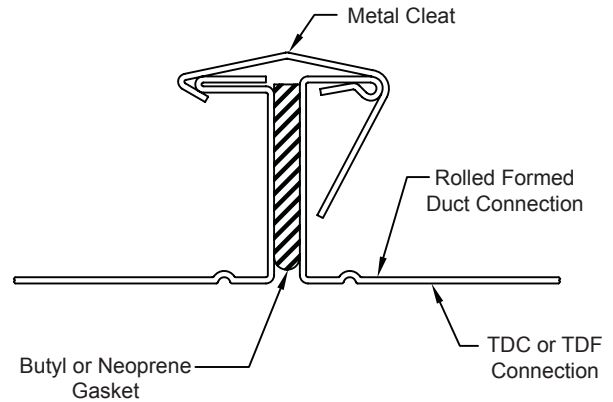
Fire Damper • Models: 17S, 17D, 17MD, 17MA, 38S, 38D, 38MD, 38MA

Fire/Smoke Damper • Models: MR, MS, MT, MA, LA



## **Ductmate, Ward, and Nexus Connections**

- Connections assembled without the four corner nuts and bolts
- Cleats as required per chart on the front
- Maximum size of 60"W x 60"H for use with 17S, 17D, 38S, 38D
- Maximum size of 36"W x 48"H for use with 17MD, 17MA, 38MD, 38MA, MR, MS, MT, MA, LA



## **TDC, TDF Flanged Connections**

- Connections assembled with or without the four  $\frac{3}{8}$ " corner nuts and bolts
- Cleats as required per chart on the front
- Maximum size of 60"W x 60"H for use with 17S, 17D, 38S, 38D
- Maximum size of 36"W x 48"H for use with 17MD, 17MA, 38MD, 38MA, MR, MS, MT, MA, LA