

# Duct Access Door with Viewport

# Viewport

1" Deep • Hinged or Cammed • Plexiglass or Wireglass • Single or Double Pane • Access Door

## STANDARD CONSTRUCTION

- FRAME:** 22-GA galvanized steel
- DOOR PANEL:** 24-GA galvanized steel
- INSULATION:** 1" fiberglass
- FINISH:** Mill

## OPTIONS

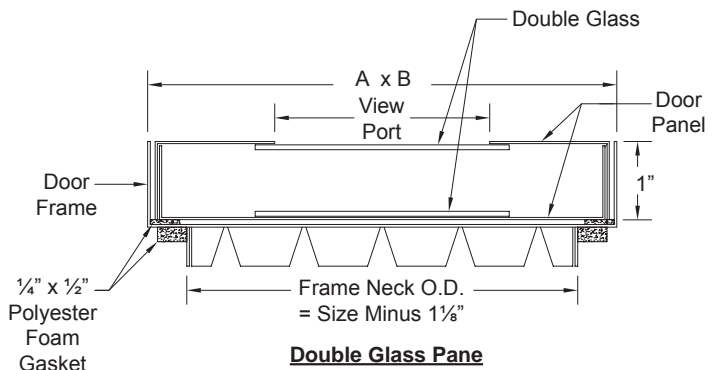
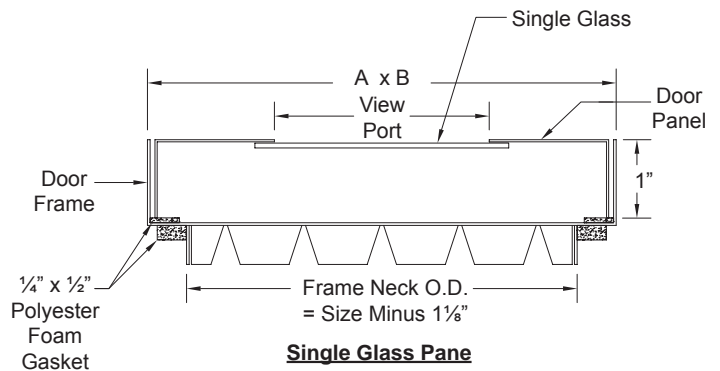
- Hinged or Cammed
- Single or Double Pane
- Wireglass
- Plexiglass
- Fiberboard Ductwork
- Flanged
- High Pressure

## NOTES

1. "A" width and "B" height are opening dimensions.
2. Double window doors 12" x 12" and larger are insulated with 1" thick rigid fiberglass.
3. Standard Pressure Rating is 4.5 in.wg. High Pressure Rating is 10 in.wg.
4. On non-standard doors, the height is always the larger dimension.

## DOOR SIZE

Panels	Standard Sizes	Round Glass Size
HDD	6"W x 6"H	2 <sup>3</sup> / <sub>4</sub> "
	8"W x 8"H	4 <sup>3</sup> / <sub>4</sub> "
	10"W x 10"H	4 <sup>3</sup> / <sub>4</sub> "
	12"W x 12"H	6 <sup>3</sup> / <sub>4</sub> "
	14"W x 14"H	6 <sup>3</sup> / <sub>4</sub> "
	16"W x 16"H	6 <sup>3</sup> / <sub>4</sub> "
	18"W x 18"H	6 <sup>3</sup> / <sub>4</sub> "
	20"W x 20"H	6 <sup>3</sup> / <sub>4</sub> "
	24"W x 24"H	6 <sup>3</sup> / <sub>4</sub> "



This page intentionally left blank.