

# Three Position Toggle

**3PT**

Remote Test Box for Combination Fire/Smoke and Smoke Dampers

### Application

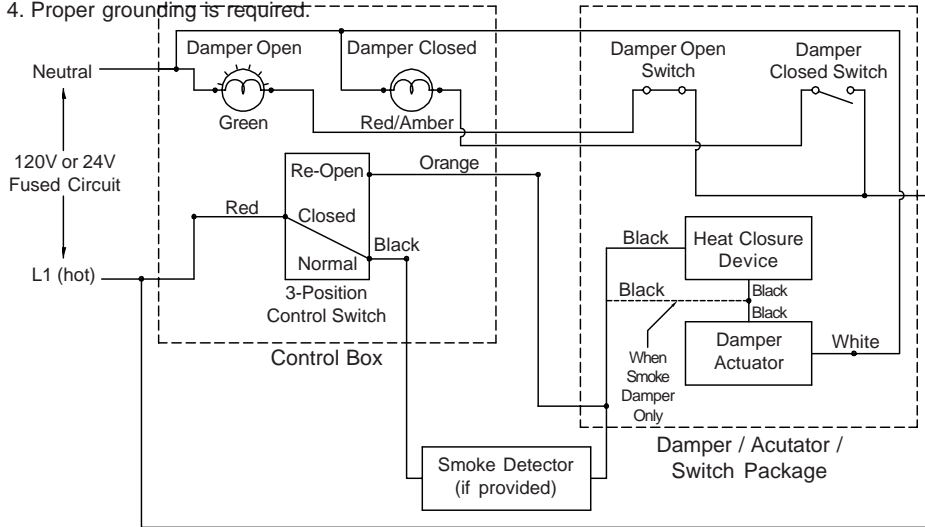
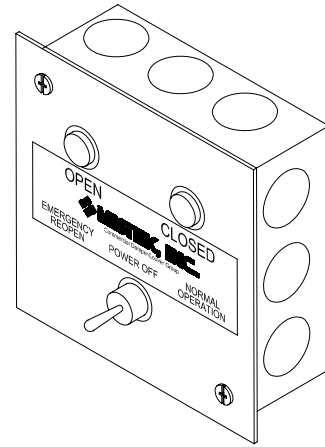
The field mounted and field wired remote test box will permit remote closing and reopening of a combination fire/smoke or smoke damper. The reopen position will bypass the smoke detector (if provided) and the low temperature and high temperature heat closure device (if provided).

### Description

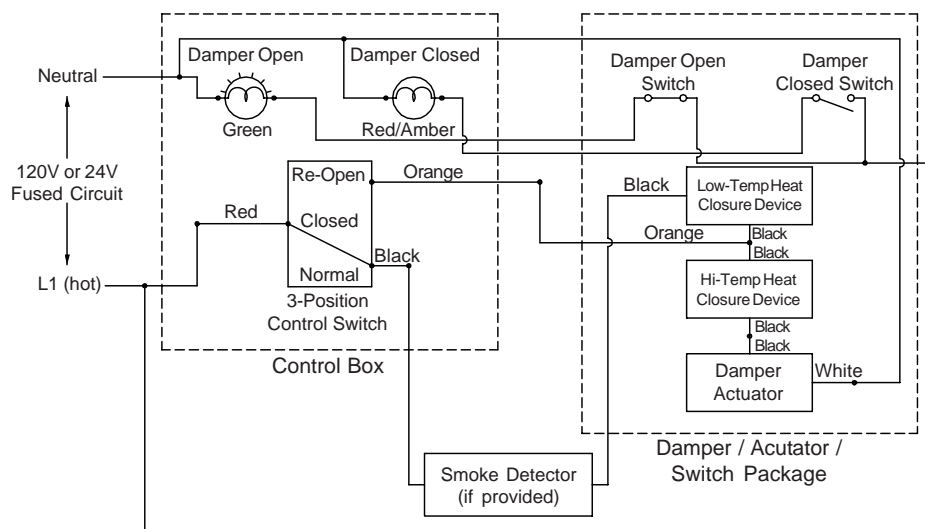
The Remote Test Box consists of a 4"W x 4"H steel box with multiple conduit knockouts. The steel cover is mounted and labeled for the three position (center off) switch. A green lamp indicates the damper is opened and the red/amber lamp indicates the damper is closed.

### Notes

1. Voltage of the lamps supplied will match the damper actuator's voltage (24Vac or 120Vac). Connection of the remote test box to a voltage different than the actuator voltage will damage both the test station lamps and the damper actuator.
2. Switch rating 15A at 125VAC.
3. Requires damper to be provided with damper position indication switches.
4. Proper grounding is required.



Wiring schematic when control box is connected to combination fire/smoke damper or smoke damper with single heat closure device. (Shown in normal, damper open position.)



Wiring schematic when control box is connected to combination fire/smoke damper with low-temp and high-temp heat closure devices, sensotherm feature. (Shown in normal, damper open position.)

**3PT**

## **Three Position Toggle**

Remote Test Box for Combination Fire/Smoke and Smoke Dampers

---

This page intentionally left blank.