

Formed Steel Louver

SL49

4" Deep • 30° Non-Drainable Blade • Formed Steel Stationary Louver

STANDARD CONSTRUCTION

FRAME: 18-GA galvanized steel channel type

BLADES: 18-GA galvanized steel

BLADE SPACING: 3"

ASSEMBLY: Riveted and/or welded for maximum service; Full jambs with blades, head and sill contained within

FINISH: Mill

SCREEN: ½" sq. mesh 19-GA galvanized

OPTIONS

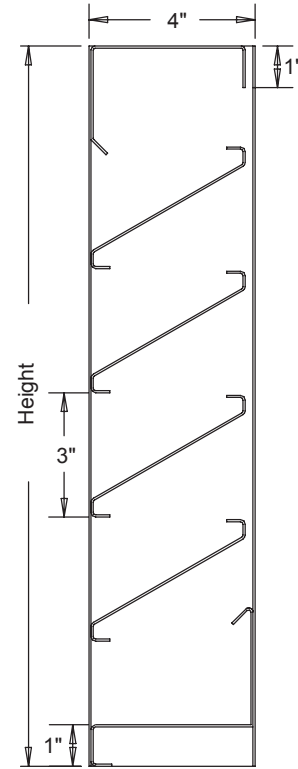
- Flange Frame
- Extended Sub-Sills (3" or 5")
- Sub-Frame
- Installation Angles
- Stainless Steel, Other Steel Gauges
- Finishes - Baked Enamel, Epoxies
- Variety of Bird and Insect Screens
- Blank-Off Panels

NOTES

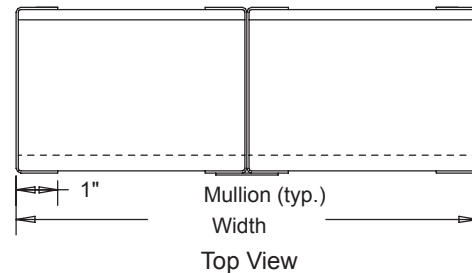
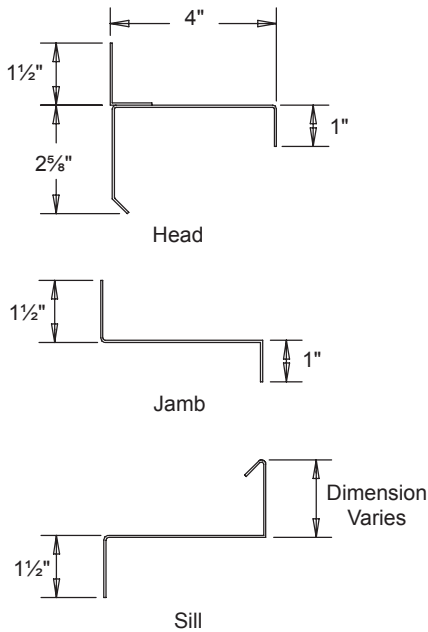
1. "A" width and "B" height are opening dimensions. Louvers are provided approximately ½" undersize.
2. Approximate louver weight is 10 lbs./sq.ft.

LOUVER SIZE

Panels	Minimum Panel	Maximum Panel
SL49	12"W x 12"H	60"W x 96"H



Section View



Top View

This page intentionally left blank.