

Formed Steel Louver

SL73C

7" Deep • Drainable Blade • Combination Louver

STANDARD CONSTRUCTION

FRAME: 18-GA galvanized steel

BLADES: Adjustable Blades are 16-GA galvanized steel
Stationary Blades are 18-GA galvanized steel

FACE OF LOUVER: Full width sill with drain head with blades contained within the jambs

LINKAGE: Brackets are 12-GA zinc plated steel, pivots are .050" dia. machined steel. Zinc plated pivots rotate in a Celcon bearing. A .312 dia. aluminum linkage rod is locked to the pivot by a 1/4 - 20 set screw with an epoxy locking patch.

SEALS: Dual Durometer Vinyl-Grip seals at blade edge, neoprene at jambs

SHAFT: 1/2" dia. plated steel stub

SCREEN: Secured to the exterior
1/2" Sq. mesh 19 ga. galvanized steel (.041")
19-GA galvanized steel .041

FINISH: Mill

OPTIONS

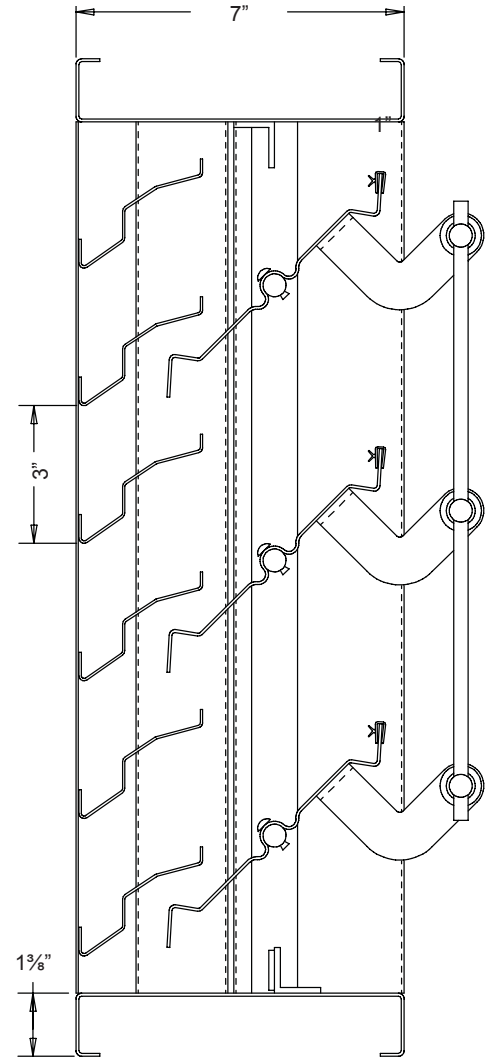
Frame and blades of other gauges
Neoprene blade edge seals
Other material (Stainless Steel, Copper, Aluminum etc.)
Finishes: Baked powder, Epoxies, etc.
Assorted Bird and Insect Screens
Electric Actuators

NOTES

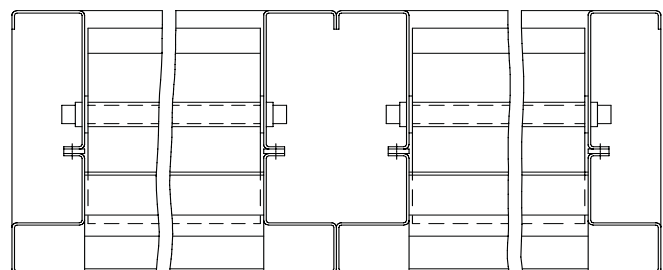
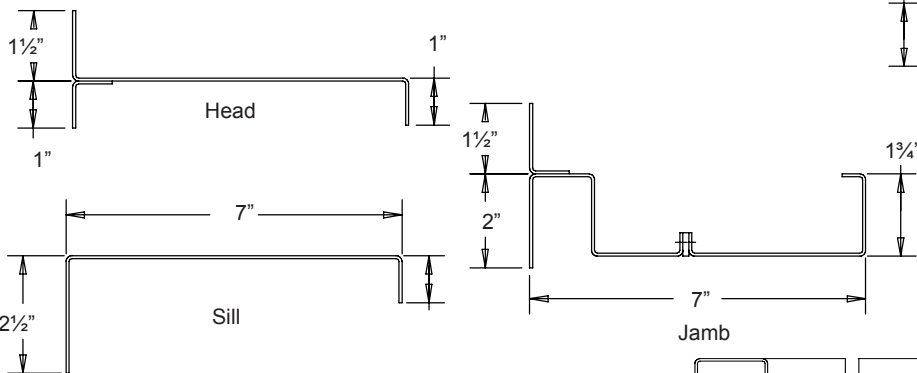
- "A" width and "B" height are opening dimensions. Louvers are provided approximately 1/2" undercut.
- Shipping weight approximately 9.0 lbs./sq.ft.

LOUVER SIZE

Panels	Min Panel	Max Single Panel
SL73C	12"W x 19"H	48"W x 96"H



Section View



Mullion (typ.)

SD-SL73C-09.08

Louvers  Dampers
A Microtek Company

P.O. Box 606 • Florence, KY 41042 • Phone (859) 647-2299 • Fax (859) 647-7810

August 2009

This page intentionally left blank.