

# Penthouse

# EP48P/EP63P

4" or 6" Deep • Straight Blade • Post Corner • Extruded Aluminum

## STANDARD CONSTRUCTION

**FRAME:** .081" thick nominal; 6063-T6/T52 extruded aluminum alloy with reinforcing rib bosses

**BLADES:** .081" thick nominal; 6063-T6/T52 extruded aluminum alloy with reinforcing rib bosses

**ROOF:** Removable roof .060" thick sheet aluminum reinforced with aluminum bracing where required to take a snow load of 40 lbs/sq.ft. plus a required safety factor

**INSULATION:** ½" thick insulation on underside of roof

**SCREEN:** ½" x .051" flattened galvanized birdscreen

**FINISH:** Mill

## OPTIONS

Finish - Baked Enamel, Kynar, or Anodize

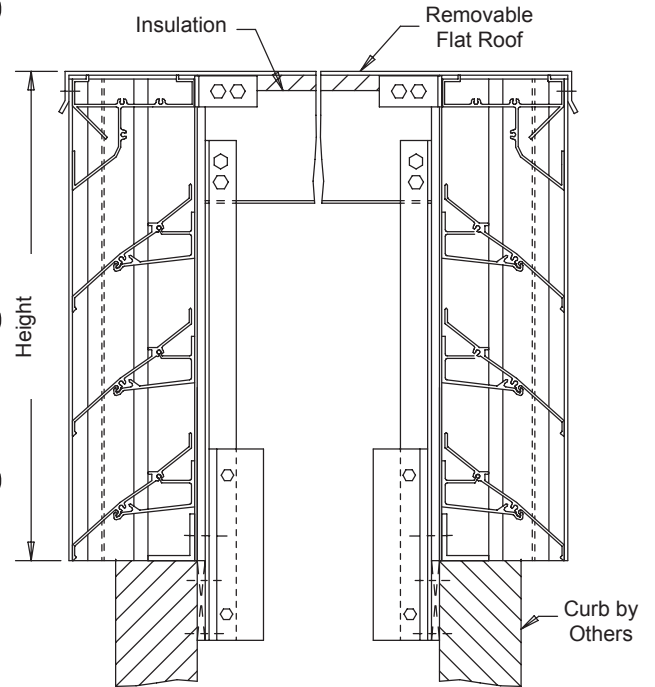
Variety of Bird and Insect Screen

.125" Nominal Construction

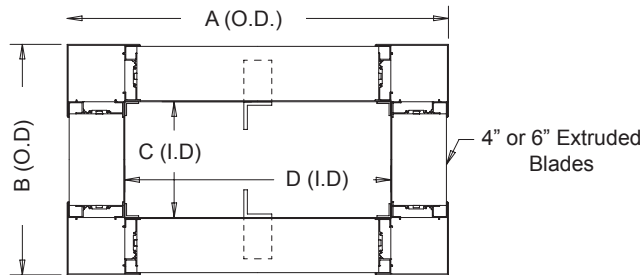
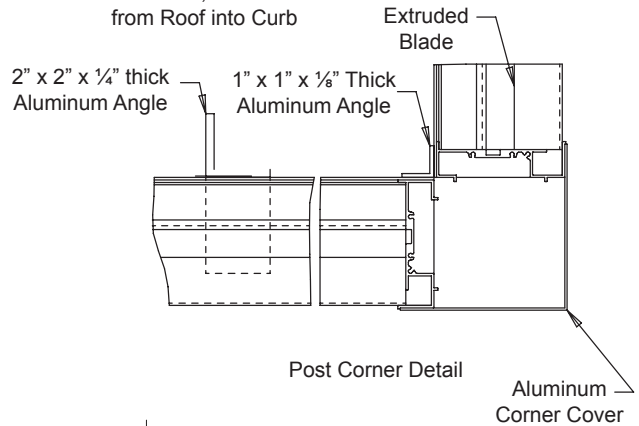
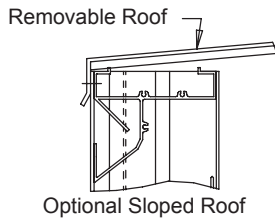
Sloped Roof

## NOTES

1. "A" width and "B" height are opening dimensions. Penthouse dimensions "A" or "B" exceeding 84" shall be shipped in section for field assembly by others.



Angles - All Corners and Intermediate, to Extended from Roof into Curb



Continuous Angles at the Four Corners and Intermediate as Required

Louvers & Dampers  
A Microtek Company

SD-EP48P-EP63P-09.08

P.O. Box 606 • Florence, KY 41042 • Phone (859) 647-2299 • Fax (859) 647-7810

August 2009

This page intentionally left blank.