

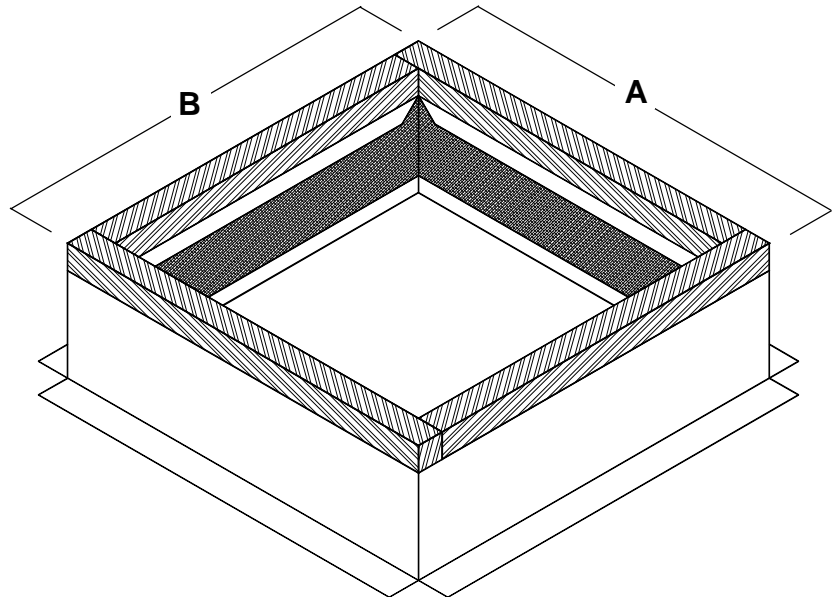
# ROOF CURB

# A-SF

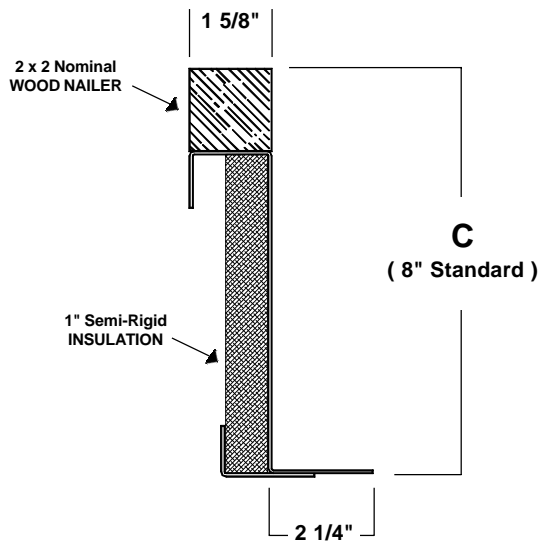
Self Flashing / Insulated  
Formed Aluminum

## STANDARD CONSTRUCTION

- Fabricated of .063" thick aluminum alloy 3003-H14 shell and base plate. All seams are fully welded and sprayed with protective coating.
- 1" Semi-Rigid Fiberglass Insulation.
- Factory installed nominal 2 x 2 Wood Nailer for equipment mounting is mechanically fastened to upper curb perimeter.
- Mill finish is standard.
- If either dimension exceeds 90" multisection construction may be required.



Standard Curb Has No Corners



'A' (width)	'B' (width)	'C' (height)	Qty	Options / Accessories / Variations

PROJECT \_\_\_\_\_ LOCATION \_\_\_\_\_  
 ARCH/ENGR \_\_\_\_\_ CONTRACTOR \_\_\_\_\_  
 REPRESENTATIVE \_\_\_\_\_ DATE \_\_\_\_\_

PC00099 - April 2000

ROOF CURBS

**LD Louvers & Dampers**  
 A DIVISION OF MESTEK, INC.

P.O. Box 606 • 7435 Industrial Rd • Florence, KY 41042 • Phone (859) 647-2299 • Fax (859) 647-7810

## OPTIONS / ACCESSORIES

### MATERIAL

Aluminum products are also available in either .081" or .125" thick 3003-H14 alloy.

### PITCHED OR PEAKED

All units are available as pitched or peaked. In conjunction with the overall unit dimensions, both the height rise, specified in inches per linear foot ( e.g. 3" in 12" ) and the direction of the pitch must be specified.

### LINERS

A liner may be used for retention of insulation or as support to strengthen large units that will support a heavy load. Liners are manufactured as an integral part of the product to add maximum structural support.

### CORNERS

Solid welded corners may be added to the self flashing flange on the bottom of the curb.

### PLATFORM CAP

A 3/4" plywood top with a metal cap fabricated of the same material as the product.

### GASKET

1/4" thick polyurethane foam gasket can be installed, lining the entire top perimeter. Gasket can be used in place of, or in addition to a wood nailer.

### INSULATION

Curbs are available with 2" Semi-Rigid insulation instead of the standard 1".

### ACCESS PANELS

To provide a passageway to internal equipment, an access opening is cut and lined with a protective vinyl edge seal and the cover panel is mechanically fastened over the opening. Minimum height restrictions apply.

### LOUVERED VENTS

To provide an airflow through the curb, units are available with 6" wide x 7/8" high louvered vents, with 4 per side. Minimum height restrictions apply.

### DAMPER RACK

For mounting of dampers in the curb, a damper rack can be installed. The rack is located in the bottom of the curb and a damper is then mounted on top of the rack. Damper and/or rack flange dimensions must be specified.

### SECURITY BARS

Selections of Bar diameters, Frame styles and Spacing are available.

### FINISHES

A wide selection of finishes including Baked Enamel, Epoxy, Kynar, Clear or Color Anodize, or Prime Coat.