

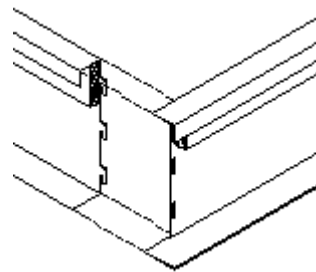
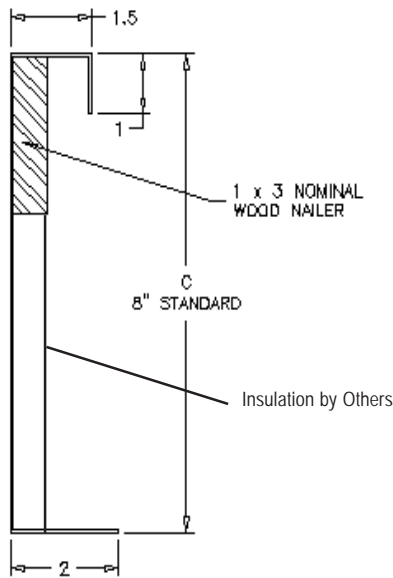
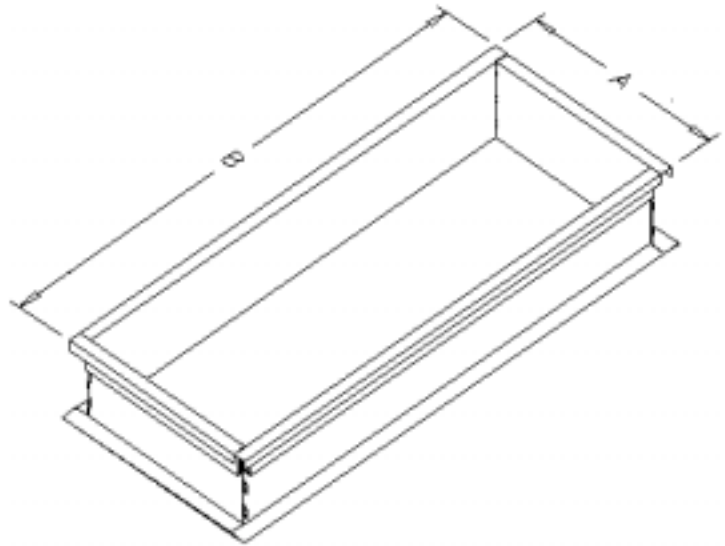
KNOCKDOWN ROOF CURB

KD-SF

Self Flashing /Formed Steel

STANDARD CONSTRUCTION

- Fabricated of 18 gauge galvanized steel shell and base plate. Corners are designed to tab-lock.
- Factory installed nominal 1 x 3 Wood Nailer for equipment mounting is mechanically fastened to upper curb perimeter.
- Mill finish is standard.
- If either dimension exceeds 90" multisection construction may be required.
- Units shipped disassembled for field erection.



Quick Lock Corners

(no fasteners required)

'A' (width)	'B' (width)	'C' (height)	Qty	Options / Accessories / Variations

PROJECT _____
 ARCH/ENGR _____
 REPRESENTATIVE _____

LOCATION _____
 CONTRACTOR _____
 DATE _____

PC00310 -Jan. 2003

ROOF CURBS

LD Louvers & Dampers
 A DIVISION OF MESTEK, INC.

P.O. Box 606 • 7435 Industrial Rd • Florence, KY 41042 • Phone (859) 647-2299 • Fax (859) 647-7810

KD-SF

OPTIONS / ACCESSORIES

MATERIAL

Steel products are available in various gauges of Galvanized, Galvaneal or Stainless.

CORNERS

Tab-lock quick corners.

PLATFORM CAP

A 3/4" plywood top with a metal cap fabricated of the same material as the product.

GASKET

1/4" thick polyurethane foam gasket can be installed, lining the entire top perimeter.

DECK PANS

Sheetmetal covers over all or part of curb.

PARTITIONS

Internal metal dividers to segment the curb.

FINISHES

A wide selection of finishes including Baked Enamel, Epoxy, or Prime Coat.