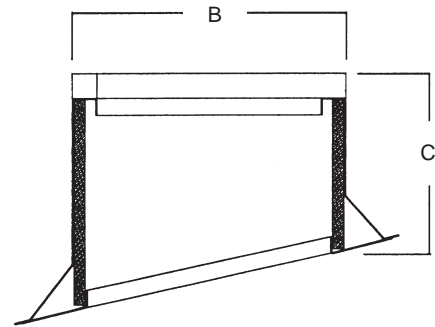
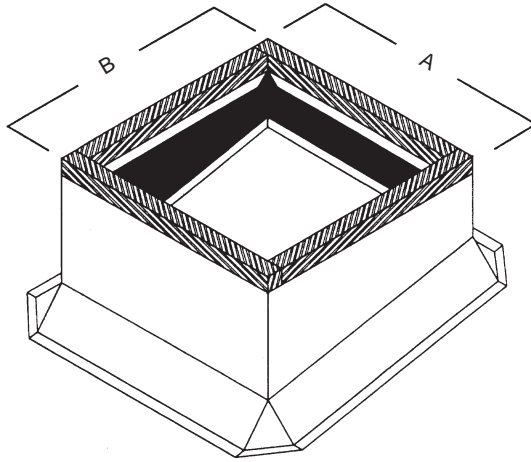


Pitched or Peaked Curbs

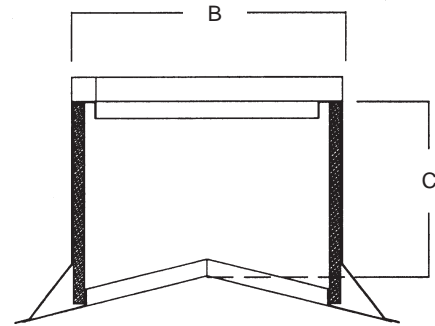
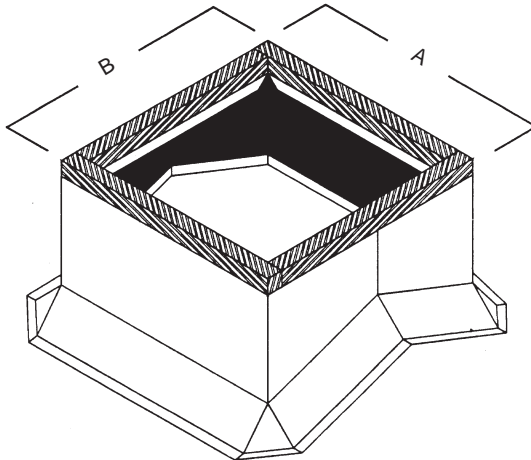
NOTES

All curbs and equipment support models are available pitched or peaked. Any pitch may be fabricated by specifying the height increase, in inches, per every linear foot (ex. 3" in 12"). Pitch must be specified from the "B" dimension. If either dimension exceeds 90", multi-section construction may be required.

PITCHED



PEAKED



This page intentionally left blank.