

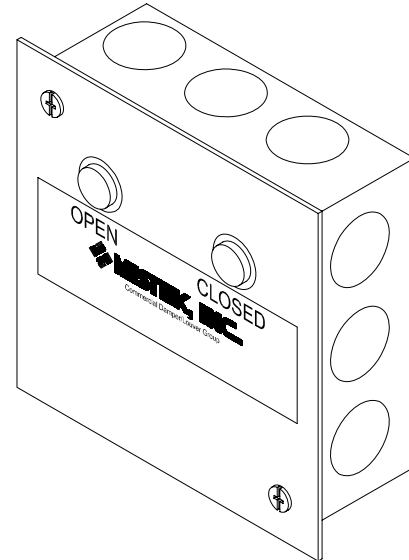
Remote Test Box for Combination Fire/Smoke and Smoke Dampers

Application

The field mounted and field wired damper position indication lights will permit remote open and closed blade position indication of the combination fire/smoke or smoke damper.

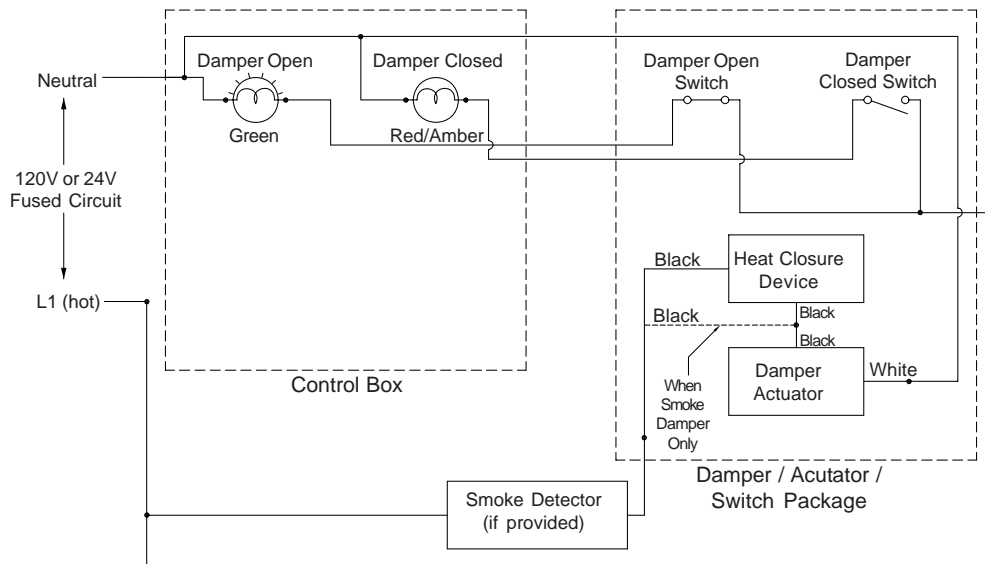
Description

The Remote Test Box consists of a 4"W x 4"H steel box with multiple conduit knockouts. The steel cover is mounted and labeled. A green lamp indicates the damper is opened and the red/amber lamp indicates the damper is closed.



Notes

1. Voltage of the lamps supplied will match the damper actuator's voltage (24Vac or 120Vac). Connection of the remote test box to a voltage different than the actuator voltage will damage both the test station lamps and the damper actuator.
2. Requires damper to be provided with damper position indication switches.
3. Proper grounding is required.



Wiring schematic when damper position indication lights are connected to combination fire/smoke damper or smoke damper with single heat closure device. (Shown in normal, damper open position.)

This page intentionally left blank.