

Two Position Momentary

Remote Test Box for Combination Fire/Smoke and Smoke Dampers

Application

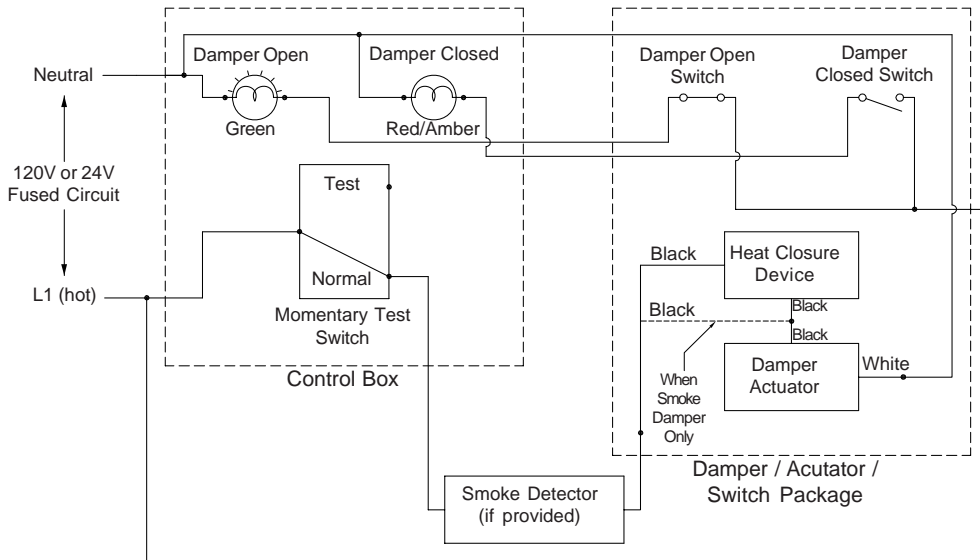
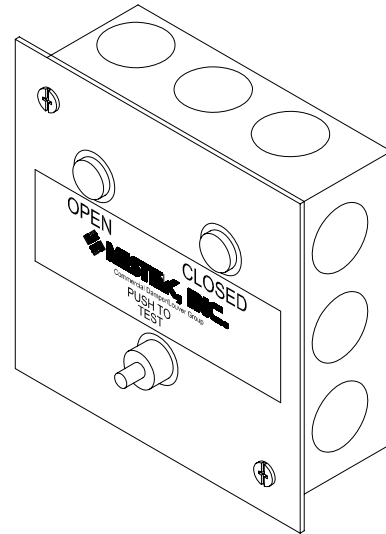
The field mounted and field wired remote test box will permit momentary interruption of power to the combination fire/smoke or smoke damper. As long as the spring-loaded switch is depressed, power is disconnected and the damper will travel to its fail position.

Description

The Remote Test Box consists of a 4"W x 4"H steel box with multiple conduit knockouts. The steel cover is mounted and labeled for the momentary, spring-loaded test switch. A green lamp indicates the damper is opened and the red/amber lamp indicates the damper is closed.

Notes

- 1. This control box is available for 120V or 24V circuits.
- 2. Two Position Momentary Switch rating 4A at 250VAC or 8A at 125VAC.
- 3. Requires damper to be provided with damper position indication switches.
- 4. Proper grounding is required.



Wiring schematic when control box is connected to combination fire/smoke damper or smoke damper with single heat closure device. (Shown in normal, damper open position.)

This page intentionally left blank.