

Two Position Toggle

2PT

Remote Test Box for Combination Fire/Smoke and Smoke Dampers

Application

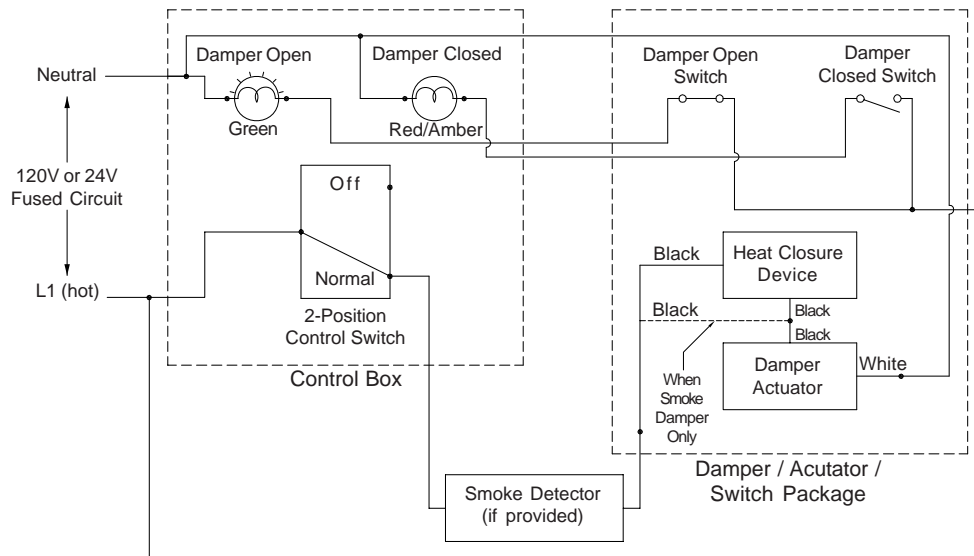
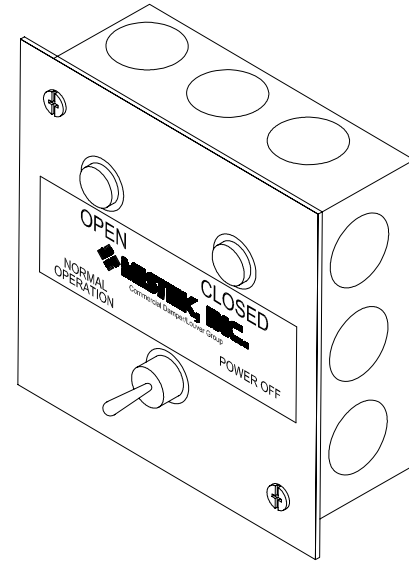
The field mounted and field wired remote test box will permit interruption of power to the combination fire/smoke or smoke damper. As long as the toggle switch is in the "off" position, power is disconnected and the damper will travel to its fail position.

Description

The Remote Test Box consists of a 4"W x 4"H steel box with multiple conduit knockouts. The steel cover is mounted and labeled for the two position toggle switch. A green lamp indicates the damper is opened and the red/amber lamp indicates the damper is closed.

Notes

1. This control box is available for 120V or 24V circuits.
2. Switch rating 20A at 125VAC.
3. Requires damper to be provided with damper position indication switches.
4. Proper grounding is required.



Wiring schematic when control box is connected to combination fire/smoke damper or smoke damper with single heat closure device. (Shown in normal, damper open position.)

2PT

Two Position Toggle

Remote Test Box for Combination Fire/Smoke and Smoke Dampers

This page intentionally left blank.