

Three Position Toggle

3PT

Remote Test Box for Combination Fire/Smoke and Smoke Dampers

Application

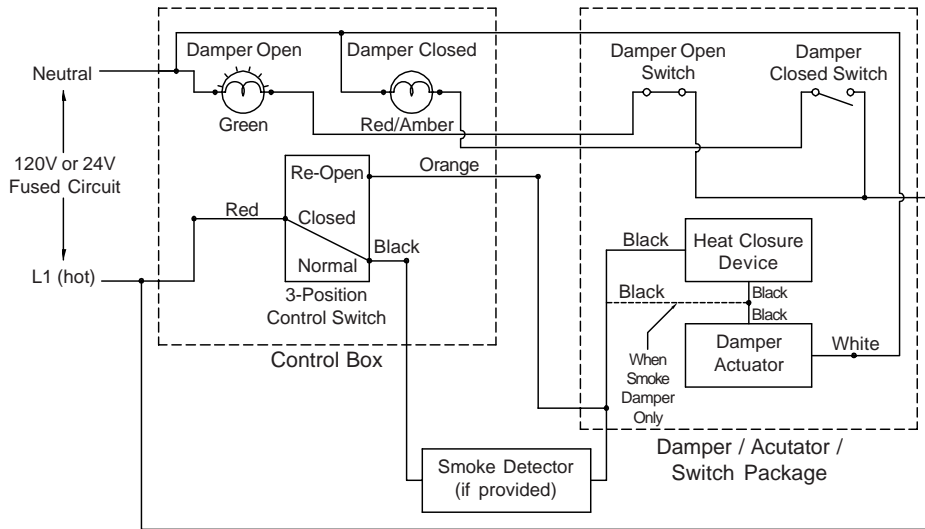
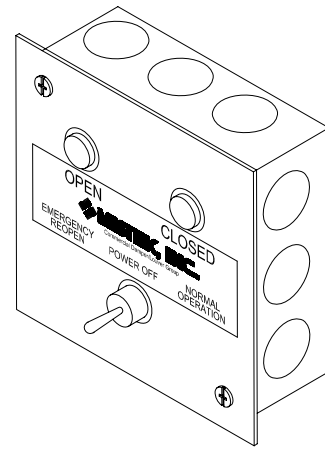
The field mounted and field wired remote test box will permit remote closing and reopening of a combination fire/smoke or smoke damper. The reopen position will bypass the smoke detector (if provided) and the low temperature and high temperature heat closure device (if provided).

Description

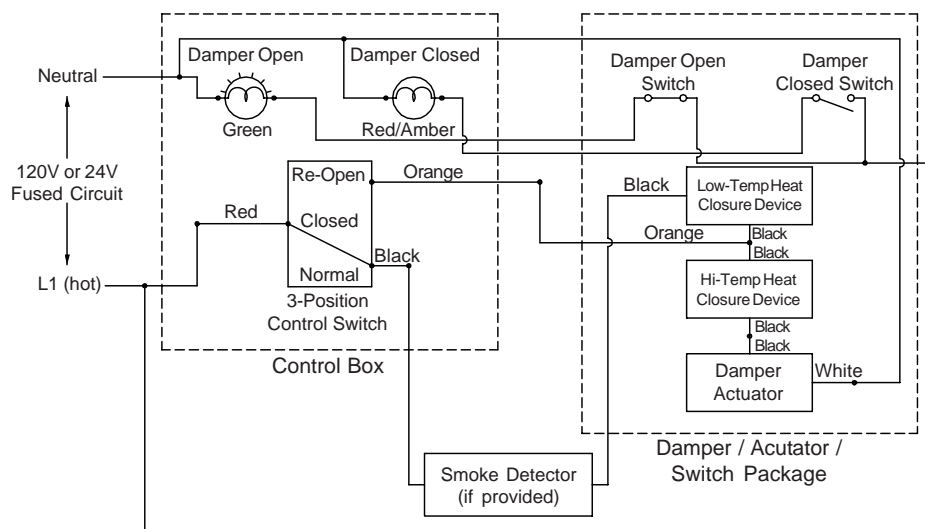
The Remote Test Box consists of a 4"W x 4"H steel box with multiple conduit knockouts. The steel cover is mounted and labeled for the three position (center off) switch. A green lamp indicates the damper is opened and the red/amber lamp indicates the damper is closed.

Notes

1. This control box is available for 120V or 24V circuits.
2. Switch rating 20A at 125VAC.
3. Requires damper to be provided with damper position indication switches.
4. Proper grounding is required.



Wiring schematic when control box is connected to combination fire/smoke damper or smoke damper with single heat closure device. (Shown in normal, damper open position.)



Wiring schematic when control box is connected to combination fire/smoke damper with low-temp and high-temp heat closure devices, sensotherm feature. (Shown in normal, damper open position.)

3PT

Three Position Toggle

Remote Test Box for Combination Fire/Smoke and Smoke Dampers

This page intentionally left blank.